

Cisco.300-630.v2021-09-22.q41

Exam Code:	300-630
Exam Name:	Implementing Cisco Application Centric Infrastructure - Advanced
Certification Provider:	Cisco
Free Question Number:	41
Version:	v2021-09-22
# of views:	1186
# of Questions views:	410
https://www.freepdfdumps.com/Cisco.300-630.v2021-09-22.q41.html	

NEW QUESTION: 1

How is broadcast forwarded in Cisco ACI Multi-Pod after ARP flooding is enabled?

- A. Broadcast frames are forwarded inside the pod and across the IPN using the multicast address that is associated to the bridge domain
- B. For the specific bridge domain, all spines forward the broadcast frames to IPN routers
- C. Ingress replication is used on the spines to forward broadcast frames in the IPN infrastructure
- D. Within a pod, the ingress leaf switch floods the broadcast frame on all fabric ports

Answer: B ([LEAVE A REPLY](#))

NEW QUESTION: 2

Which approach does Cisco ACI use to achieve multidestination packet forwarding between leaf switches in the same fabric?

- A. Map VXLAN to PIM-DM protocol
- B. Map VXLAN VNI to the multicast group
- C. Map VXLAN to PIM-SM protocol
- D. Map VXLAN VTEP to the multicast group

Answer: B ([LEAVE A REPLY](#))

NEW QUESTION: 3

What is a characteristic of a stretched bridge domain solution between Cisco ACI sites with Layer 2 flood disabled?

- A. The application profile that is associated to the bridge domain have local significance in each site.
- B. The tenant and VRF that associated to the bridge domain have local significance in each site.
- C. Headend replication is used for BUM traffic between sites.
- D. IP mobility is ensured between sites for disaster recovery.

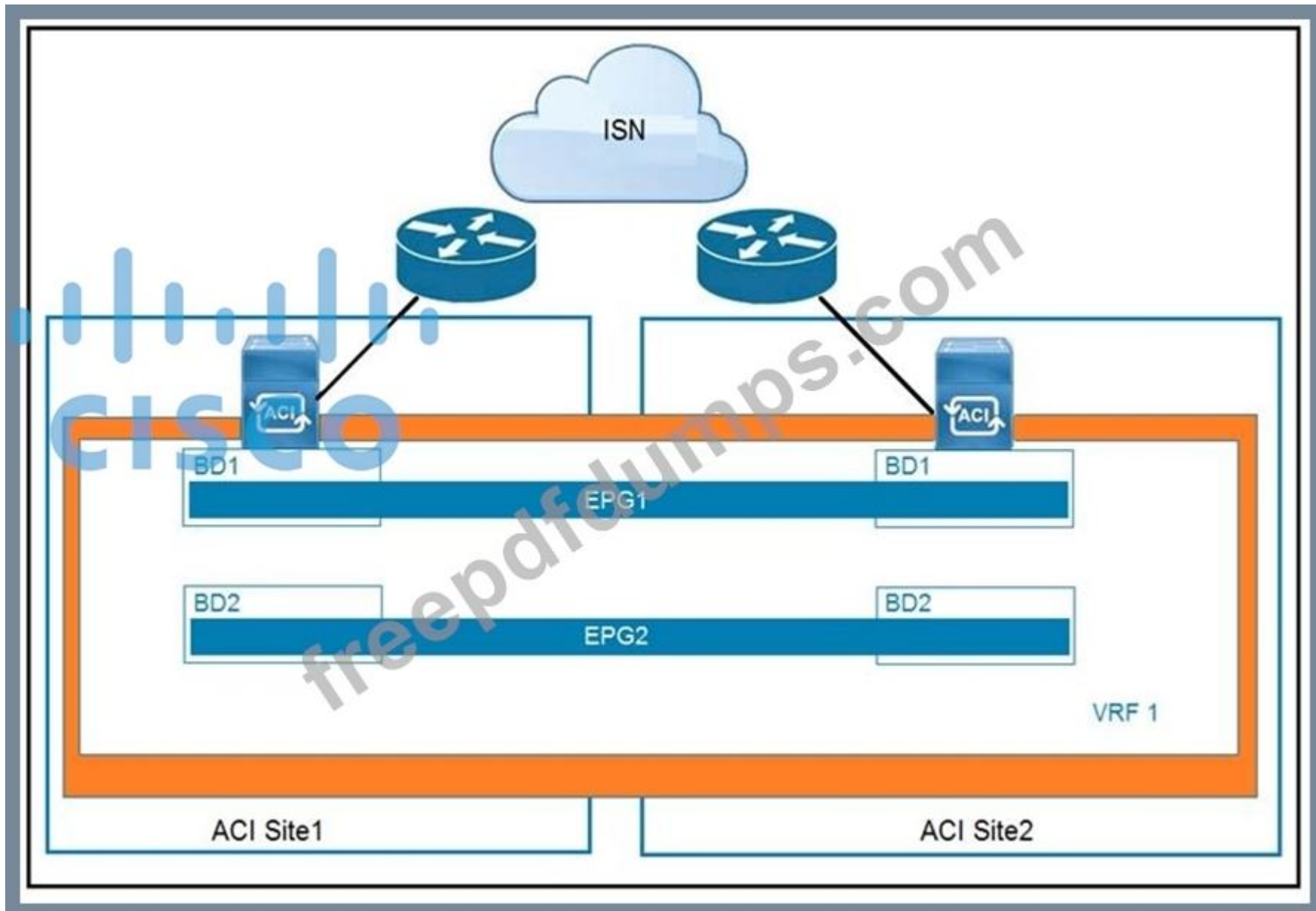
Answer: ([SHOW ANSWER](#))

Section: Multisite

Explanation/Reference:

NEW QUESTION: 4

Refer to the exhibit.



Which feature is available across sites if EPGs are stretched?

- A. Layer 3 routing between sites
- B. Layer 2 flooding across sites
- C. live virtual machine migration
- D. active-active high-availability firewall clustering

Answer: A (LEAVE A REPLY)

NEW QUESTION: 5

An organization migrates its virtualized servers from a legacy environment to Cisco ACI. VM1 is incorrectly attached to PortGroup IT|3TierApp|Web. Which action limits IP address learning in BD1?

- A. Enable GARP-based EP Move Detection Mode
- B. Enable Enforce Subnet Check
- C. Disable Remote EP Learn

D. Enable Rouge Endpoint Control

Answer: A ([LEAVE A REPLY](#))

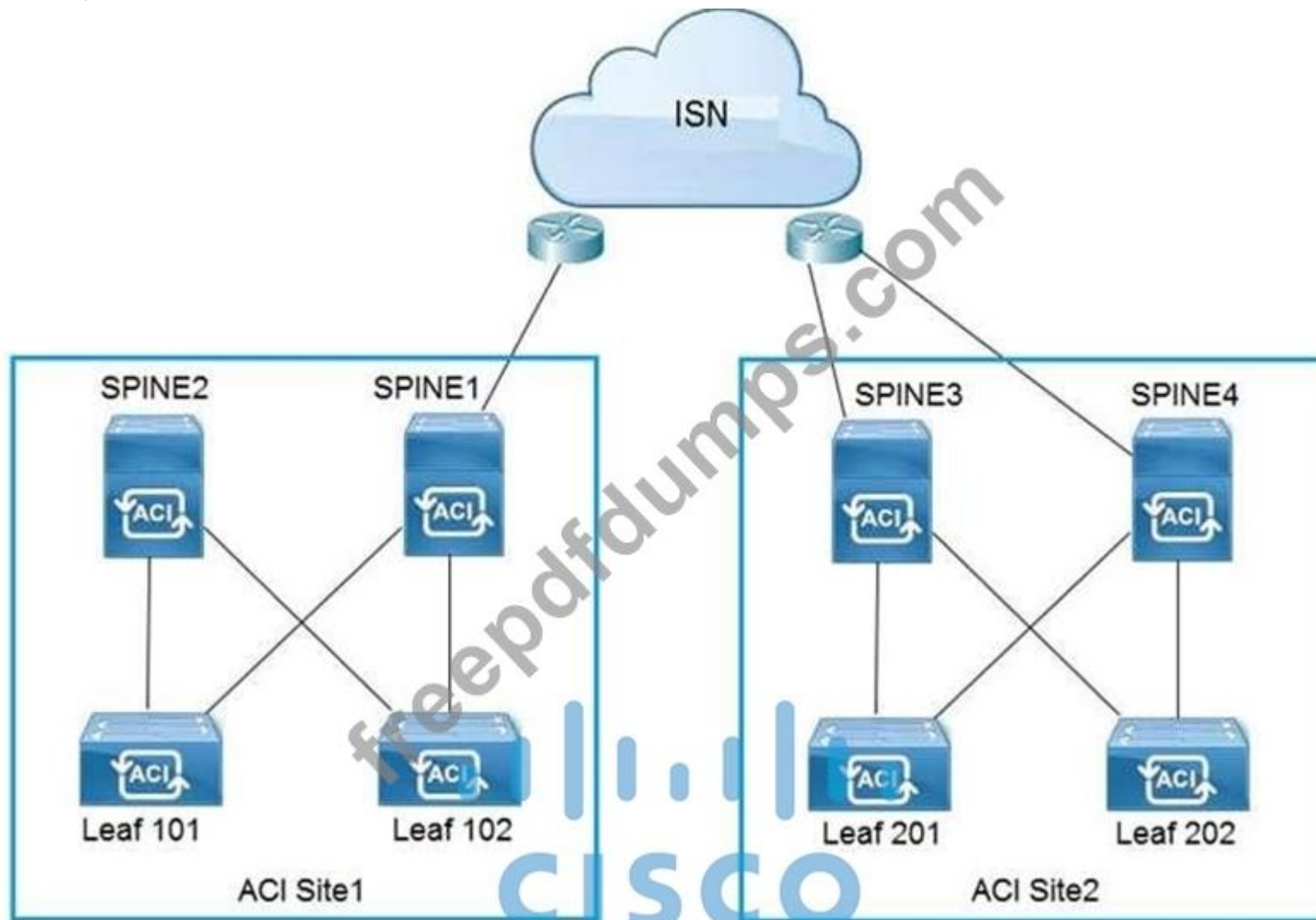
NEW QUESTION: 6

What two actions should be taken to deploy a new Cisco ACI Multi-Pod setup? (Choose two.)

- A. Configure the TEP pool of the new pod to be routable across the IPN
- B. Configure anycast RP for the underlying multicast protocol
- C. Increase interface MTU for all IPN routers to support VXLAN traffic
- D. Connect all spines to the IPN
- E. Configure MP-BGP on IPN routers that face the Cisco ACI spines

Answer: C,D ([LEAVE A REPLY](#))

NEW QUESTION: 7



Refer to the exhibit. Which two configuration steps are required in ISN for Cisco ACI Multi-Site setup? (Choose two.)

- A. Connect Spine2 to ISN routers.
- B. Configure BIDIR-PIM throughout the ISN
- C. Increase ISN MTU to support the maximum MTU that is sent by endpoints
- D. Configure OSPF between spines and ISN routers

E. Enable IGMPv3 on ISN routers

Answer: D,E ([LEAVE A REPLY](#))

Section: Multisite

NEW QUESTION: 8

Create L4-L7 Devices

STEP 1 > Cluster

1. Cluster 2. Devices 3. Parameters

Name: Firewall

Device Package: CISCO-CloudMode-1.0

Context Aware: Multiple Single

Function Type: GoThrough GoTo L1 L2

Device Type: CLOUD PHYSICAL VIRTUAL

Cluster Management Interface

EPG: OOB/OOB-Network

Virtual IP Address: 10.1.1.1

Port: 443

Username: admin

Password: *****

Confirm Password: *****

Refer to the exhibit. A network engineer configures a Layer 4 to Layer 7 device for an outside routed firewall that is connected to POD-1 inside a Cisco ACI fabric that consists of two pods. All traffic from POD-1 or POD-2 that uses the L3Out should pass through the routed firewall. Which Function Type must be implemented in the service graph for POD-2 to use L3Out?

- A. GoThrough
- B. L1
- C. GoTo
- D. L2

Answer: D ([LEAVE A REPLY](#))

Section: Multipod

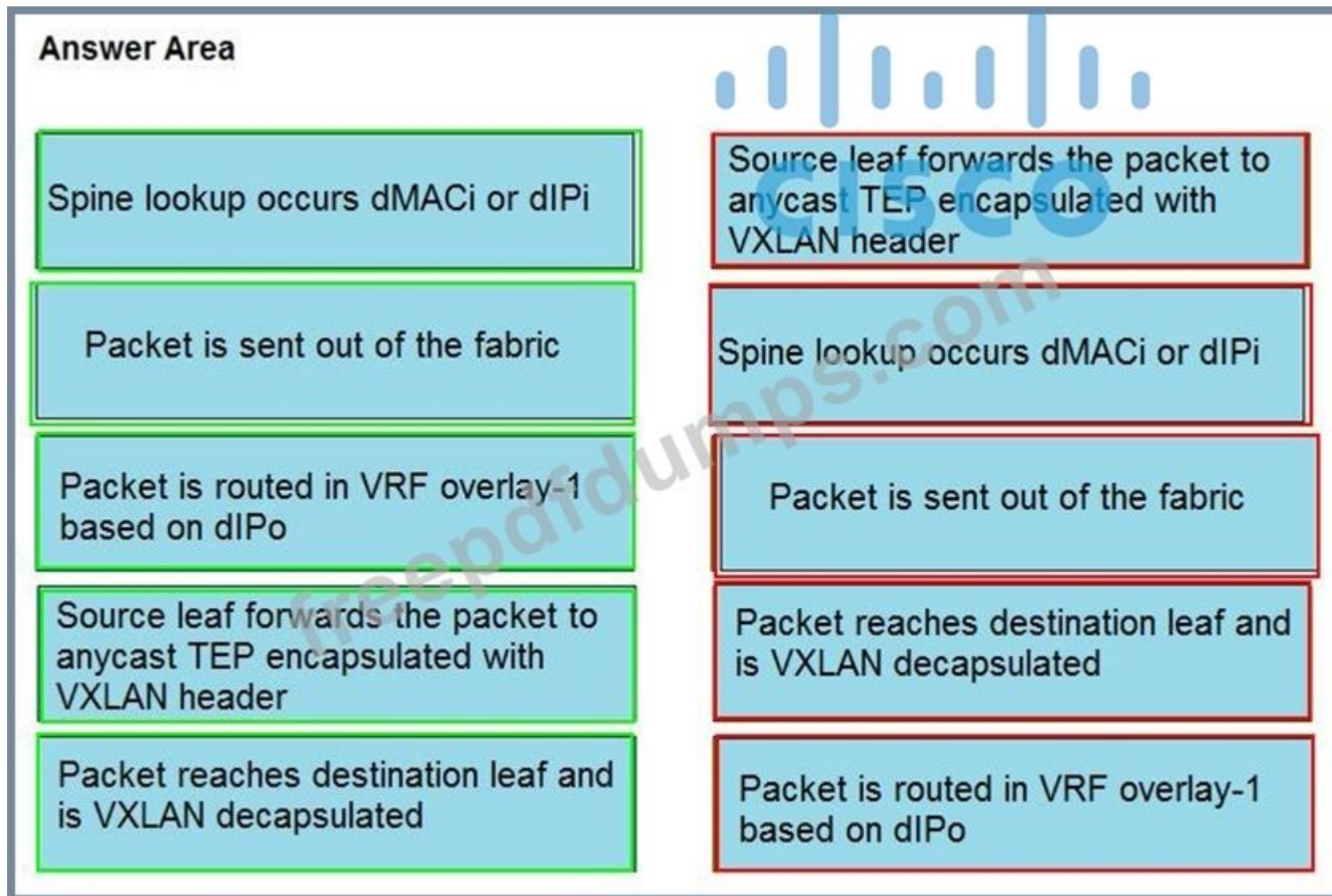
NEW QUESTION: 9

A leaf receives unicast traffic that is destined to an unknown source, and spine proxy is enabled in the corresponding bridge domain. Drag and drop the Cisco ACI forwarding operations from the left into the order the operation occurs on the right.

Answer Area

Spine lookup occurs dMACi or dIPi	Step 1
Packet is sent out of the fabric	Step 2
Packet is routed in VRF overlay-1 based on dIPo	Step 3
Source leaf forwards the packet to anycast TEP encapsulated with VXLAN header	Step 4
Packet reaches destination leaf and is VXLAN decapsulated	Step 5

Answer:



NEW QUESTION: 10

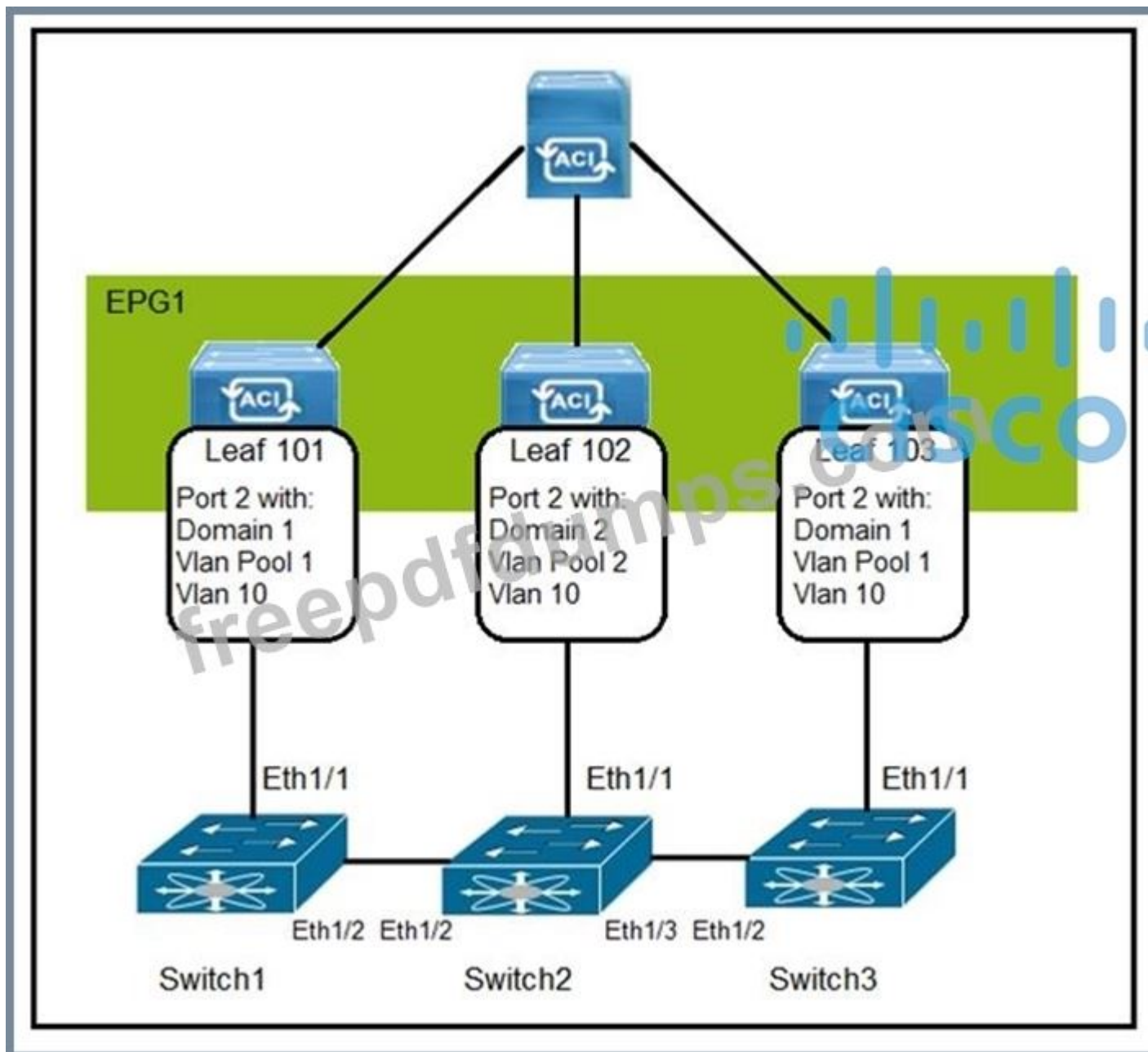
What are two characteristics of Cisco ACI and Spanning Tree Protocol interaction? (Choose two.)

- A. When a TCN BPDU is received in a VLAN, Cisco ACI flushes the endpoints for the associated encapsulation.
- B. STP BPDUs are dropped due to MCP.
- C. BPDU filter and BPDU guard can be configured on Cisco ACI leaf edge ports.
- D. MST BPDUs are flooded correctly in Cisco ACI fabric without additional configuration.
- E. Cisco ACI must be configured as the STP root for all VLANs.

Answer: C,E (LEAVE A REPLY)

NEW QUESTION: 11

Refer to the exhibit.



How are the STP BPDUs forwarded over Cisco ACI fabric?

- A. STP BPDUs that are generated by Switch1 are received only by Switch3.
- B. STP BPDUs that are generated by Switch2 are received by Switch1 and Switch3.
- C. Cisco ACI acts as the STP root for all three external switches.
- D. Cisco ACI fabric drops all STP BPDUs that are generated by the external switches.

Answer: B (LEAVE A REPLY)

NEW QUESTION: 12

Cisco ACI fabric is migrated from network-centric mode to application-centric mode. What is possible in an application-centric design?

- A. Cisco ACI VMM integration with hypervisors
- B. migration of bare metal servers to virtual machines
- C. remapping of VLAN pools
- D. creation of additional EPGs under one bridge domain

Answer: D (LEAVE A REPLY)

NEW QUESTION: 13

Which feature should be disabled on a bridge domain when a default gateway for endpoints is on an external device instead of a Cisco ACI bridge domain SVI?

- A. unicast routing
- B. ARP flooding
- C. unknown unicast flooding
- D. proxy ARP

Answer: C (LEAVE A REPLY)

Section: Advanced ACI Policies and Integrations

NEW QUESTION: 14

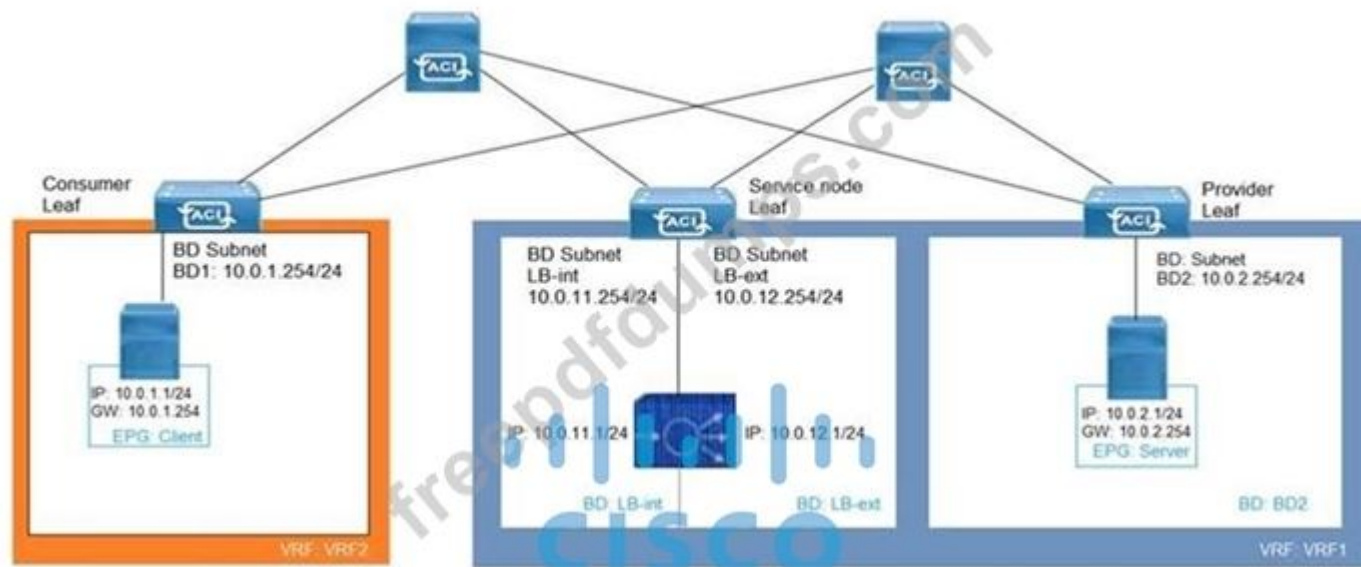
Which action reduces the impact on workload when migrating from the existing Cisco NX-OS VXLAN network infrastructure to the Cisco ACI fabric?

- A. Set the default gateway in the Cisco ACI and VXLAN fabrics
- B. Configure vPC between the standalone Nexus and the Cisco ACI leaf
- C. Use ACI spines for the Cisco ACI and VXLAN fabrics
- D. Disable bridge domain unicast routing while a default gateway is in VXLAN infrastructure

Answer: A (LEAVE A REPLY)

NEW QUESTION: 15

Refer to the exhibit.



What must be configured to allow the PBR node (LB-int) to monitor the availability of the endpoint that is in the EPG server?

- A. Unicast Route disabled for client and server bridge domains
- B. PBR node tracking
- C. Endpoint Dataplane Learning
- D. Direct Connect in the service graph template

Answer: C (LEAVE A REPLY)

NEW QUESTION: 16

An existing Cisco ACI Multi-Site setup with default fabric settings contains endpoints that communicate with an MTU of 1500. What is the minimum MTU value that must be supported by the ISN to allow control plane endpoint information exchange between sites?

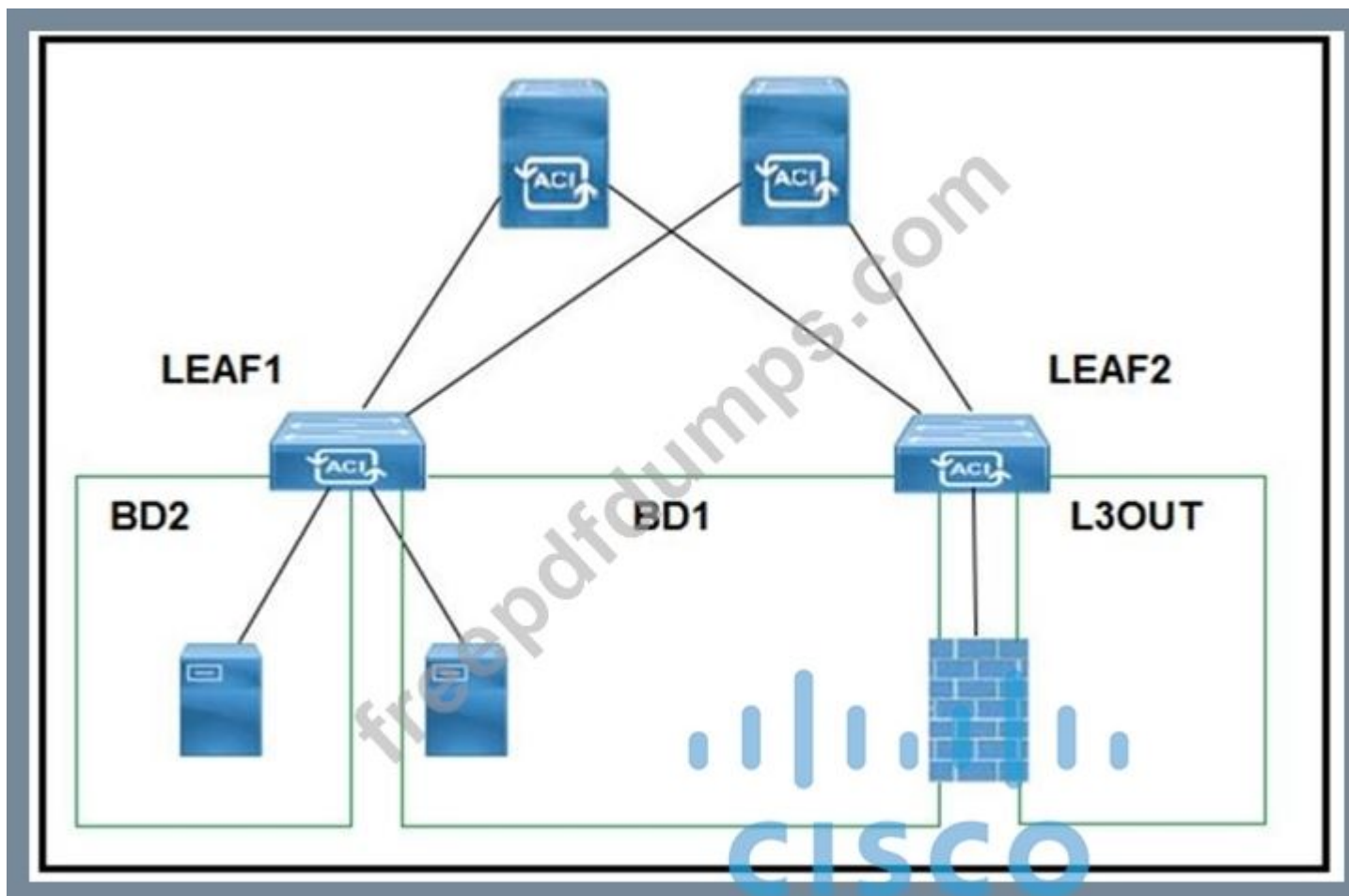
- A. 1600
- B. 9100
- C. 1554
- D. 9000

Answer: ([SHOW ANSWER](#))

Valid 300-630 Dumps shared by Actual4test.com for Helping Passing 300-630 Exam! Actual4test.com now offer the **newest 300-630 exam dumps**, the Actual4test.com 300-630 exam **questions have been updated** and **answers have been corrected** get the **newest** Actual4test.com 300-630 dumps with Test Engine here: https://www.actual4test.com/300-630_examcollection.html (120 Q&As Dumps, **30%OFF Special Discount: Freepdfdumps**)

NEW QUESTION: 17

Refer to the exhibit.

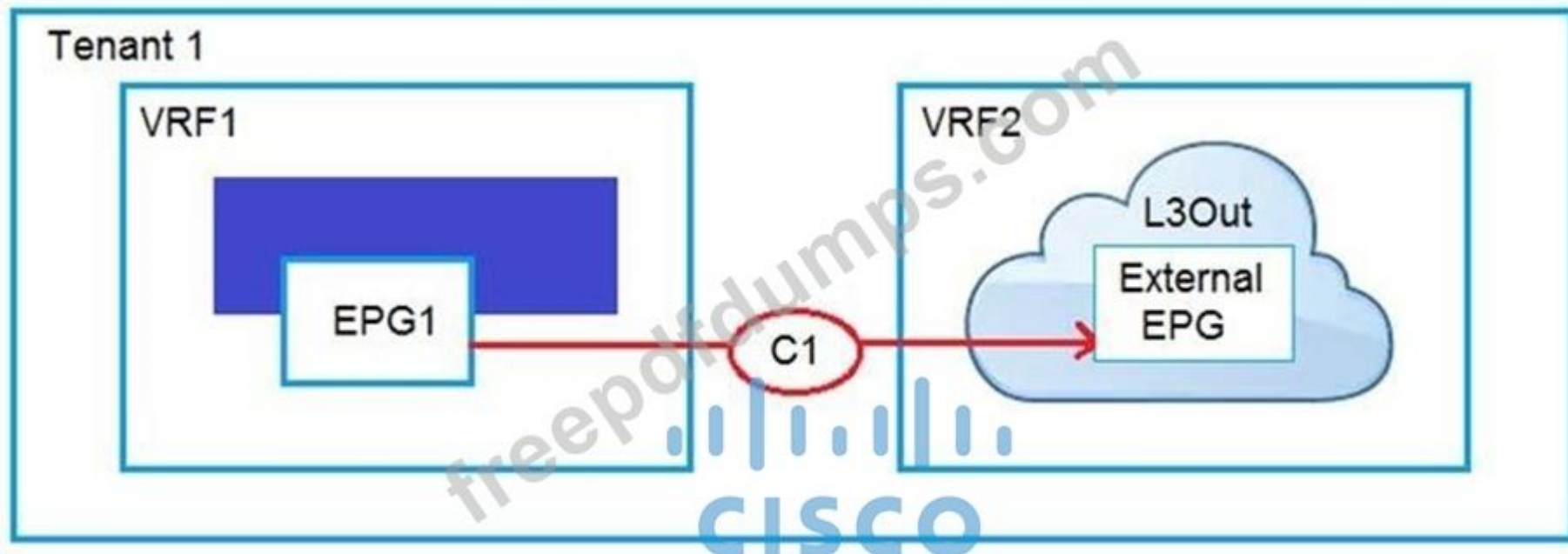


A customer experiences resource overconsumption on one of its border leaf switches. Which action should be taken to reduce the consumption on this switch?

- A. Disable VRF Policy Control Enforcement
 - B. Disable Remote EP Learning
 - C. Migrate L3Outs to another switch
 - D. Disable IP Data Plane Learning
- Answer: D (LEAVE A REPLY)**

NEW QUESTION: 18

Refer to the exhibit.



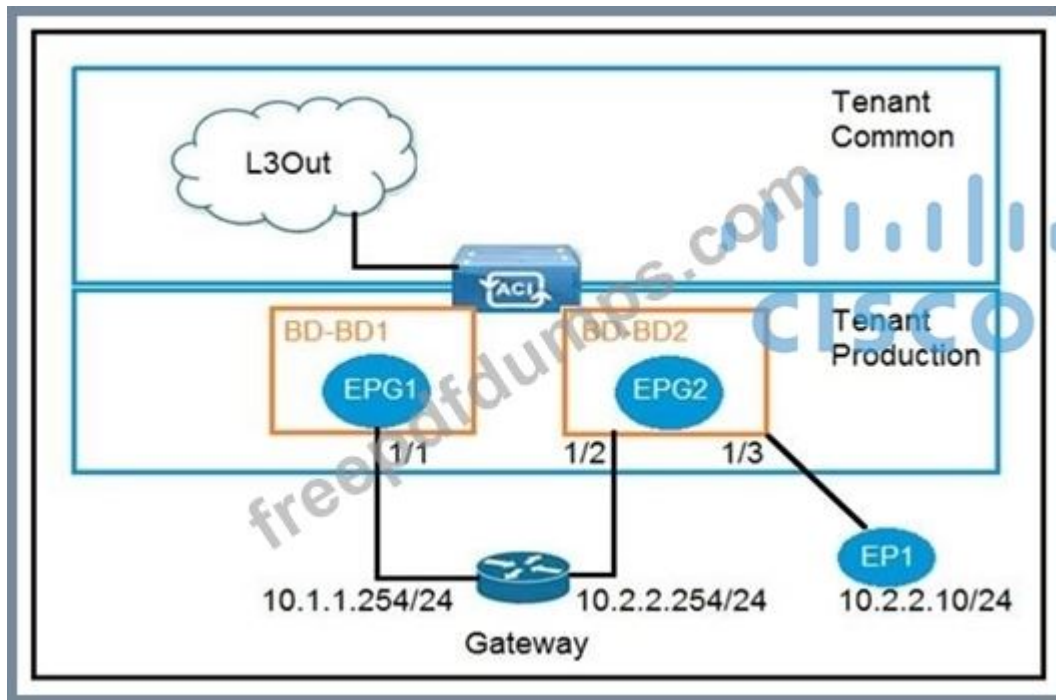
An engineer must have communication between EPG1 in VRF1 and External EPG in VRF2. Which three actions should be taken for the defined subnets in the L3Out External EPG to accomplish this goal? (Choose three.)

- A. Enable External Subnets for External EPG
- B. Enable Aggregate Shared Routes
- C. Enable Export Route Control Subnet
- D. Enable Import Route Control Subnet
- E. Enable Shared Route Control Subnet
- F. Enable Shared Security Import Subnet

Answer: (SHOW ANSWER)

NEW QUESTION: 19

Refer to the exhibit.



An engineer wants to avoid connectivity problems for the endpoint EP1 when it reaches an external L3Out network through the gateway 10.2.2.254/24. Which two configurations must be implemented in BD-BD2? (Choose two.)

- A. Enable ARP flooding
- B. Disable unicast routing
- C. Enable unicast routing
- D. Disable ARP flooding
- E. Enable IP data plane learning for the VRF

Answer: B,D (LEAVE A REPLY)

NEW QUESTION: 20

How does Cisco ACI manage the STP BPDUs between two pods?

- A. Special multicast group 239.255.255.255 is used to forward STP BPDUs
- B. Cisco ACI spines perform ingress replication for STP BPDUs
- C. BPDUs are forwarded over IPN using the bridge domain GIPo multicast address
- D. Cisco ACI spines suppress STP BPDUs to be forwarded to other pods

Answer: (SHOW ANSWER)

NEW QUESTION: 21

What is a design implication for Cisco ACI using an application-centric approach?

- A. Multiple VLANs and/or multiple EPGs are under one bridge domain
- B. One VLAN equals one EPG equals one bridge domain
- C. One EPG is mapped to multiple bridge domains
- D. VLAN numbers are in the names of the bridge domain and EPG objects

Answer: (SHOW ANSWER)

NEW QUESTION: 22

An organization expands a Cisco ACI Multi-Pod from two to six pods and must ensure that the control plane scales. What should be configured in the IPN to ensure that BUM traffic is forwarded efficiently across the IPN?

- A. MP-BGP
- B. MSDP
- C. BIDIR-PIM
- D. spine headend replication

Answer: C ([LEAVE A REPLY](#))

NEW QUESTION: 23

An engineer deploys a Cisco ACI Multi-Site Orchestrator for the first time. Drag and drop the actions from the left into the steps on the right to add a site and deploy new Cisco ACI objects to the fabric. Not all actions are used.

Create a template	Step 1
Configure infrastructure	Step 2
Create and associate a tenant	Step 3
Configure multicast routing	Step 4
Define a schema	Step 5
Create a site	

Answer:

Create a template	Configure infrastructure
Configure infrastructure	Create and associate a tenant
Create and associate a tenant	Define a schema
Configure multicast routing	Create a template
Define a schema	Create a site
Create a site	

NEW QUESTION: 24

Refer to the exhibits.

Filter - SSH

[Policy](#) [Faults](#) [History](#)

Properties

Name: SSH

Alias:

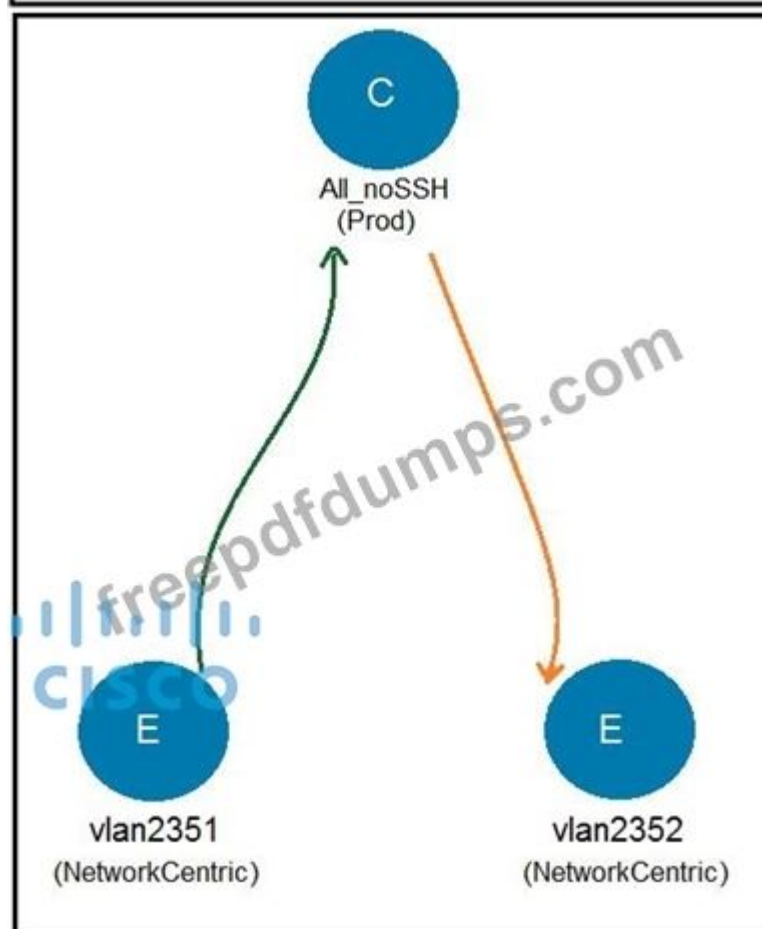
Description: optional

Tags:
enter tags separated by comma

Global Alias:

Entries:

Name	Alias	EtherType	ARP Flag	IP Protocol	Match Only Fragment	Stateful	Source Port/Range From To	Destination Port/Range From To
ssh		IP		tcp	False	False	unspecified unspecified	22 22



Which subject must be configured for the All_noSSH contract to allow all IP traffic except SSH between the two EPGs?

A.

Apply Both Directions: false
Reverse Filter Ports:

Filters: [Redacted]

Name	Action	Priority
common/ip	permit	default level
Prod/SSH	Deny	highest priority

B.

Apply Both Directions: false
Reverse Filter Ports:

Filters: [Redacted]

Name	Action	Priority
common/ip	permit	default level
Prod/SSH	Deny	lowest priority

C.

Apply Both Directions: true
Reverse Filter Ports:

Filters: [Redacted]

Name	Tenant	Action	Priority
SSH	Prod	Deny	highest priority
ip	common	permit	default level

D.

Apply Both Directions: true
Reverse Filter Ports:

Filters: [Redacted]

Name	Tenant	Action	Priority
SSH	Prod	Deny	lowest priority
ip	common	permit	default level

A. Option D

- B. Option C
- C. Option A
- D. Option B

Answer: ([SHOW ANSWER](#))

NEW QUESTION: 25

An engineer configures a new Cisco ACI Multi-Pod and must set up the link between the spine and the IPN device. Which three actions should be taken to accomplish this goal? (Choose three.)

- A. Enable MP-BGP routing
- B. Enable BIDIR-PIM protocol
- C. Enable PIM-SM protocol
- D. Enable OSPF routing
- E. Enable IS-IS routing
- F. Enable DHCP relay

Answer: A,B,F ([LEAVE A REPLY](#))

Section: Multipod

NEW QUESTION: 26

Drag and drop the tenant implementation designs from the left onto the outcomes of the design when a greenfield Cisco ACI fabric is deployed on the right.

Answer Area

VRF configured in common tenant; BDs and EPGs configured in dedicated tenants.

VRF and BDs configured in common tenant; EPGs configured in user tenants.

VRF, BD, and EPG configured in common tenant.

VRF, BD, and EPG configured in user tenants.

One organization without RBAC requirements owns all of the configuration.

Different organizations can have overlapping subnets.

Organizations use different tenants and share the same subnets.

Each organization has access only to dedicated resources, tied into RBAC rules.

Answer:

Answer Area

VRF configured in common tenant; BDs and EPGs configured in dedicated tenants.

VRF and BDs configured in common tenant; EPGs configured in user tenants.

VRF, BD, and EPG configured in common tenant.

VRF, BD, and EPG configured in user tenants.

VRF, BD, and EPG configured in user tenants.

VRF, BD, and EPG configured in common tenant.

VRF configured in common tenant; BDs and EPGs configured in dedicated tenants.

VRF and BDs configured in common tenant; EPGs configured in user tenants.

NEW QUESTION: 27

Filter - SSH

[Policy](#) [Faults](#) [History](#)

Properties

Name: SSH

Alias:

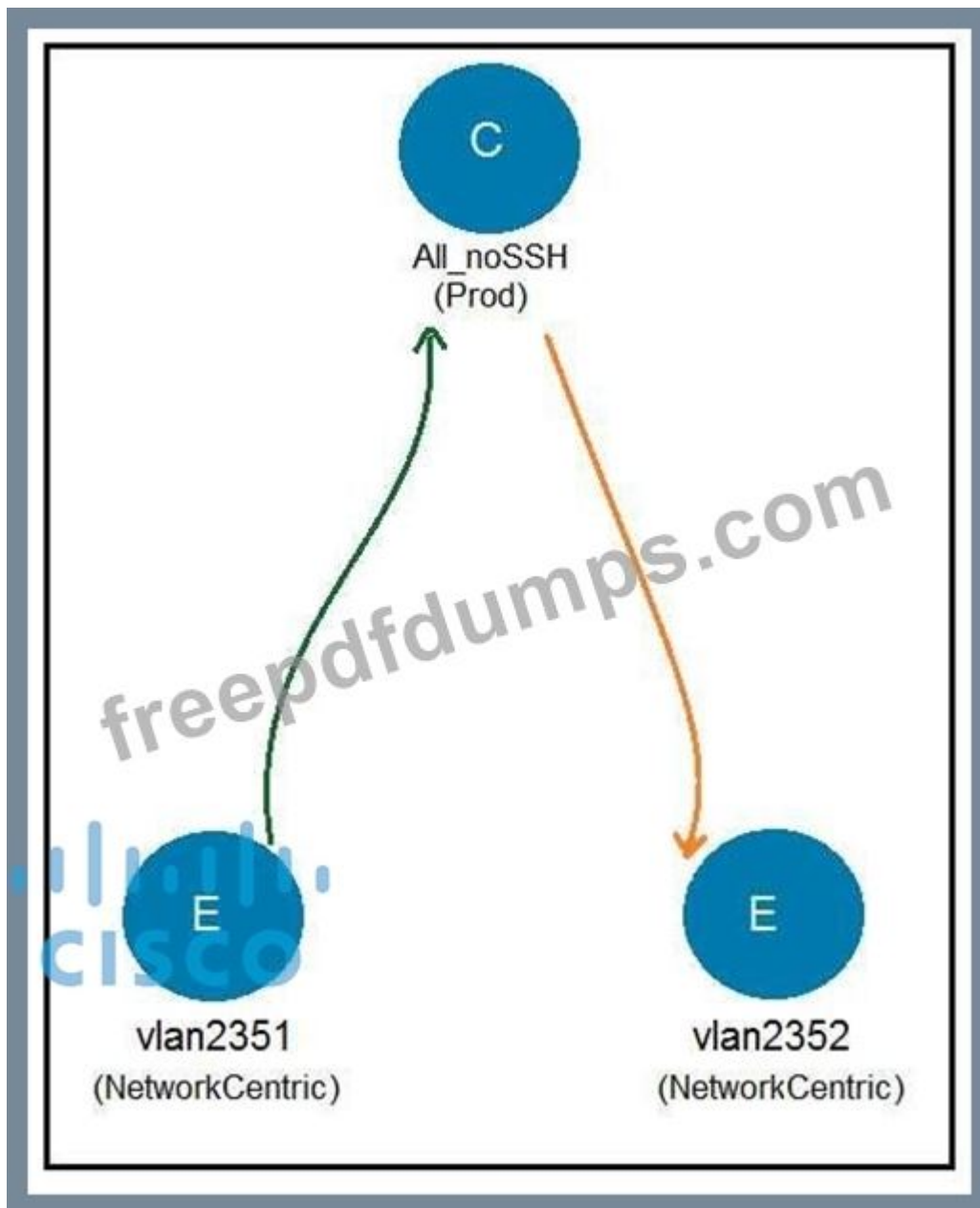
Description: optional

Tags:
enter tags separated by comma

Global Alias:

Entries:

Name	Alias	Ether Type	ARP Flag	IP Protocol	Match Only Fragme	Stateful	Source Port/Range		Destination Port/Range	
							From	To	From	To
ssh		IP		tcp	False	False	unspecified	unspecified	22	22



Refer to the exhibits. Which subject must be configured for the All_noSSH contract to allow all IP traffic except SSH between the two EPGs?

Apply Both Directions: false
 Reverse Filter Ports:

Filters:

Name	Action	Priority
common/ip	permit	default level
Prod/SSH	Deny	highest priority

A.

Apply Both Directions: false

Reverse Filter Ports:

Filters:

Name	Action	Priority
common/ip	permit	default level
Prod/SSH	Deny	lowest priority

B.

Apply Both Directions: true

Reverse Filter Ports:

Filters:

Name	Tenant	Action	Priority
SSH	Prod	Deny	highest priority
ip	common	permit	default level

C.

Apply Both Directions: true

Reverse Filter Ports:

Filters:

Name	Tenant	Action	Priority
SSH	Prod	Deny	lowest priority
ip	common	permit	default level

D.

Answer: D (LEAVE A REPLY)

Section: Advanced ACI Policies and Integrations

Explanation/Reference: https://www.cisco.com/c/en/us/td/docs/switches/datacenter/aci/apic/sw/1-x/ACI_Best_Practices/b_ACI_Best_Practices/b_ACI_Best_Practices_chapter_010.html

NEW QUESTION: 28

An engineer must allow routes learned from one L3Out to be advertised out another L3Out. The engineer does not have an explicit list of all the routes that must be advertised out, however, they know that they are all part of the 10.16.0.0/16 CIDR block. Which attributes must be selected under Ext-EPG to allow the necessary routes to be advertised out?

- A. Enable Export Route Control Subnet and enable Aggregate Export
- B. Disable Shared Route Control Subnet and enable Aggregate Shared Routes
- C. Enable Export Route Control Subnet and disable Aggregate Shared Routes
- D. Enable Export Route Control Subnet and enable Shared Route Control Subnet

Answer: A (LEAVE A REPLY)

Reference:

https://www.cisco.com/c/en/us/td/docs/switches/datacenter/aci/apic/sw/1-x/ACI_Best_Practices/b_ACI_Best_Practices/b_ACI_Best_Practices_chapter_01001.html

NEW QUESTION: 29

What is the advantage of implementing an active-active firewall cluster that is stretched across separate pods when anycast services are configured?

- A. Local traffic in a pod is load-balanced between the clustered firewalls.
- B. A different MAC/IP combination can be configured for the firewall in each pod.
- C. The local pod anycast node is preferred by the local spines.
- D. A cluster can be deployed in transparent mode across pods.

Answer: (SHOW ANSWER)

NEW QUESTION: 30

An engineer must implement a full mesh Cisco ACI Multi-Site architecture. Which action must be taken on each spine to accomplish this goal?

- A. Configure BGP-EVPN Router-ID
- B. Configure Multi-Pod Data-Plane TEP
- C. Configure Overlay Unicast TEP
- D. Configure Overlay Multicast TEP

Answer: (SHOW ANSWER)

Reference:

<https://www.cisco.com/c/en/us/solutions/collateral/data-center-virtualization/application-centric-infrastructure/white-paper-c11-739609.html>

NEW QUESTION: 31

An engineer is implementing the Cisco ACI fabric but is experiencing loops detected from endpoints. When the issue was investigated, it was discovered that the packets are received with the same source IP address but from different leaf switch ports. The engineer must prevent the issue from happening in the future and make sure that the port is brought back up if it was disabled due to the loop discovered. Which set of actions must be taken to meet these requirements?

- A. Enable the remote endpoint limit and set the Interface override
- B. Enable the rogue endpoint and set the Error Disabled Recovery Policy
- C. Enable the enforce endpoint check and set the Rogue EP detection interval
- D. Enable reverse path forwarding and set the Hold Interval

Answer: (SHOW ANSWER)

Valid 300-630 Dumps shared by Actual4test.com for Helping Passing 300-630 Exam! Actual4test.com now offer the **newest 300-630 exam dumps**, the Actual4test.com 300-630 exam **questions have been updated** and **answers have been corrected** get the **newest** Actual4test.com 300-630 dumps with Test Engine here: https://www.actual4test.com/300-630_examcollection.html (120 Q&As Dumps, **30%OFF Special Discount: Freepdfdumps**)

NEW QUESTION: 32

What is the purpose of the Forwarding Tag (FTAG) in Cisco ACI?

- A. FTAG is used in Cisco ACI to add a label to the iVXLAN traffic in the fabric to apply the correct policy.
- B. FTAG is used in Cisco ACI to add a label to the VXLAN traffic in the fabric to apply the correct policy.
- C. FTAG trees in Cisco ACI are used to load balance unicast traffic.
- D. FTAG trees in Cisco ACI are used to load balance mutli-destination traffic.

Answer: D (LEAVE A REPLY)

Section: ACI Packet Forwarding

Explanation/Reference: https://www.cisco.com/c/en/us/td/docs/switches/datacenter/aci/apic/sw/1-x/aci-fundamentals/b_ACI-Fundamentals/b_ACI-Fundamentals_chapter_010010.html#concept_1E8BF286E1C043EF839D80935FDF9F50

NEW QUESTION: 33

A network engineer configured an active-active firewall cluster that is stretched across separate pods in the Cisco ACI fabric. Which two implementation setups for anycast services are available? (Choose two.)

- A. Modify the Cisco ACI contract scope
- B. Modify the MAC address on the second firewall
- C. Configure the firewalls behind an EPG subnet
- D. Deselect No Default SVI Gateway under EPG Subnet
- E. Deploy a Layer 4 to Layer 7 service graph with PBR

Answer: (SHOW ANSWER)

Section: Multipod

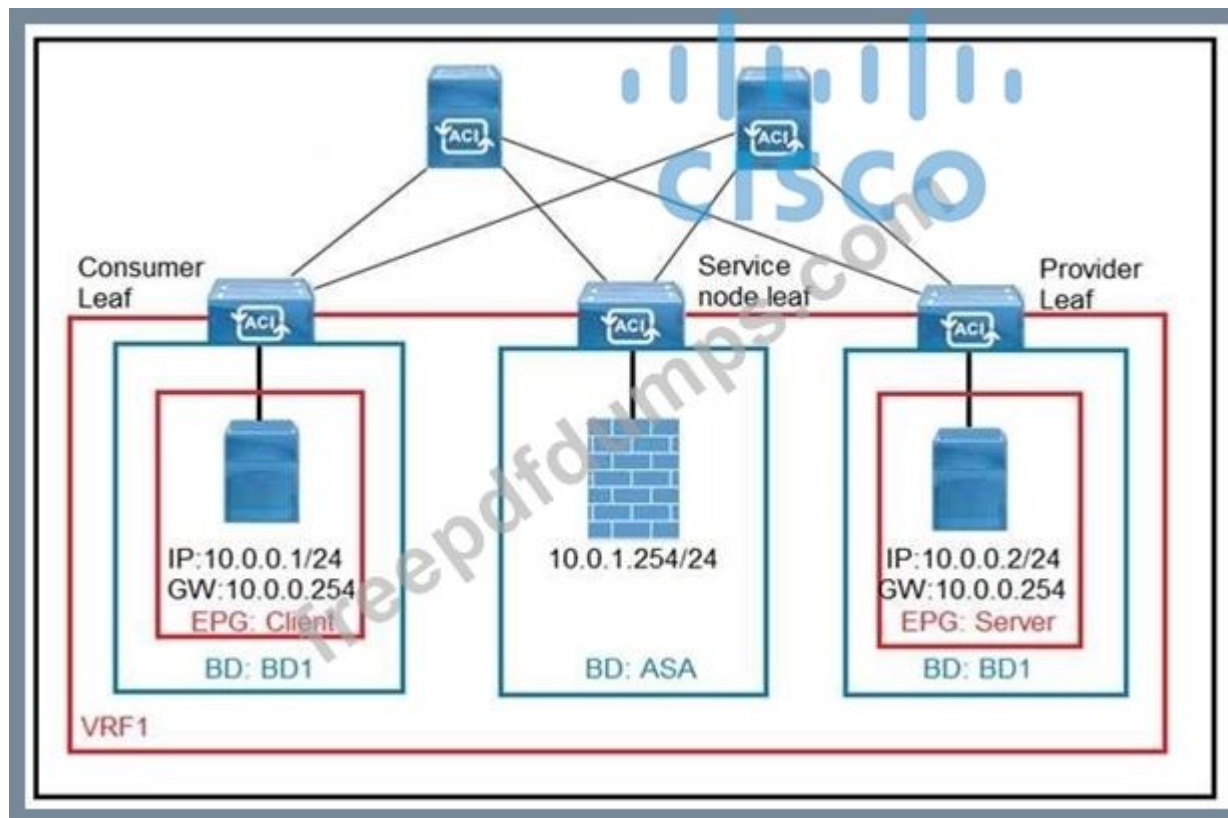
NEW QUESTION: 34

An organization deploys active-active data centers and active-standby firewalls in each data center. Which action should be taken in a Cisco ACI Multi-Pod to maintain traffic symmetry through the firewalls?

- A. Enable Endpoint Dataplane Learning
- B. Disable service node Health Tracking
- C. Enable Pod ID Aware Redirection
- D. Disable Resilient Hashing

Answer: (SHOW ANSWER)

NEW QUESTION: 35



Refer to the exhibit. What must be configured in the service graph to redirect HTTP traffic between the EPG client and EPG server to go through the Cisco ASA firewall?

- A. contract filter to allow ARP and HTTP
- B. precise filter to allow only HTTP traffic
- C. contract with no filter
- D. permit-all contract filter

Answer: (SHOW ANSWER)

Section: Advanced ACI Policies and Integrations

NEW QUESTION: 36

Which firewall connection allows for the integration of service nodes in transparent mode with a Cisco ACI Multi-Pod setup?

- A. active-standby mode across pods
- B. active-active mode per pods for communication between internal endpoints
- C. active-standby mode per pods for communication between endpoints and external networks
- D. active-active mode across pods

Answer: (SHOW ANSWER)

Section: Multipod

Explanation/Reference:

Reference: <https://www.cisco.com/c/en/us/solutions/collateral/data-center-virtualization/application-centric-infrastructure/white-paper-c11-739571.html> (table 1)

NEW QUESTION: 37

An engineer must migrate servers from a legacy data center infrastructure to a Cisco ACI fabric. Drag and drop the steps from the left into the order that they must be completed on the right to ensure the least amount of downtime.

Answer Area

Extend Layer 2 connectivity from the legacy infrastructure to Cisco ACI. Move servers from the legacy infrastructure to Cisco ACI leaf switches

Shut SVI on the legacy infrastructure and enable bridge domain unicast routing on Cisco ACI

Decommission the legacy infrastructure

Configure Cisco ACI: Define access policies, tenants, and bridge domain with unicast routing disabled. Map each VLAN to an EPG.

Step 1

Step 2

Step 3

Step 4

Answer:

Answer Area

Extend Layer 2 connectivity from the legacy infrastructure to Cisco ACI. Move servers from the legacy infrastructure to Cisco ACI leaf switches

Shut SVI on the legacy infrastructure and enable bridge domain unicast routing on Cisco ACI

Decommission the legacy infrastructure

Configure Cisco ACI: Define access policies, tenants, and bridge domain with unicast routing disabled. Map each VLAN to an EPG.

Shut SVI on the legacy infrastructure and enable bridge domain unicast routing on Cisco ACI

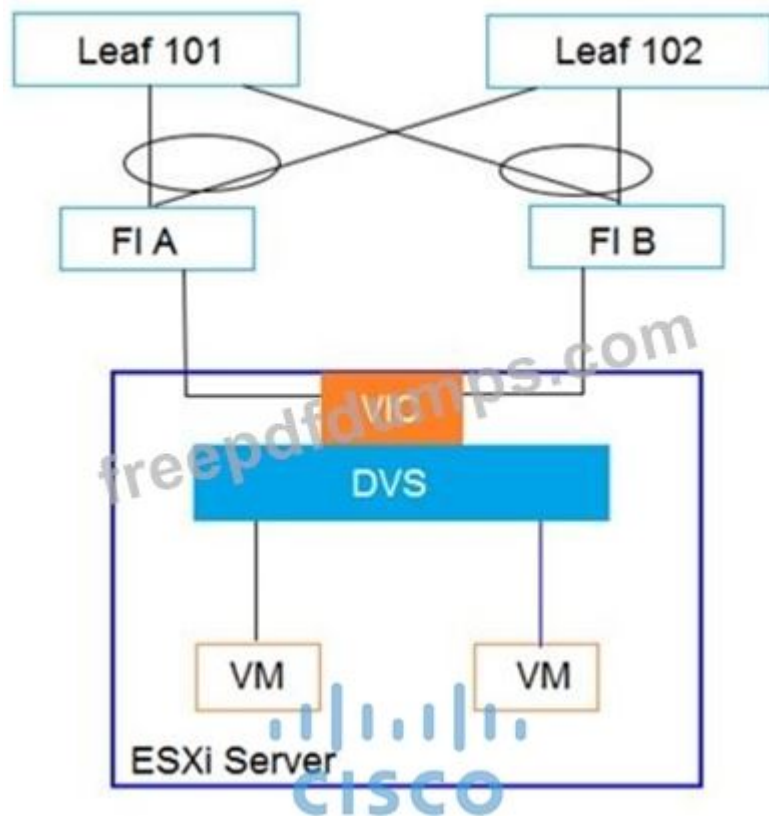
Configure Cisco ACI: Define access policies, tenants, and bridge domain with unicast routing disabled. Map each VLAN to an EPG.

Extend Layer 2 connectivity from the legacy infrastructure to Cisco ACI. Move servers from the legacy infrastructure to Cisco ACI leaf switches

Decommission the legacy infrastructure

NEW QUESTION: 38

Refer to the exhibit.



Between Cisco UCS FIs and Cisco ACI leaf switches, CDP is disabled, the LLDP is enabled, and LACP is in Active mode. Which two discovery protocols and load-balancing mechanism combinations can be implemented for the DVS? (Choose two.)

- A. CDP disabled, LLDP enabled, and MAC Pinning
- B. CDP enabled, LLDP disabled, and LACP Active
- C. CDP enabled, LLDP disabled, and MAC Pinning
- D. CDP disabled, LLDP enabled, and LACP Passive
- E. CDP enabled, LLDP enabled, and LACP Active
- F. CDP enabled, LLDP disabled, and LACP Passive

Answer: [\(SHOW ANSWER\)](#)

NEW QUESTION: 39

Which two actions are the Cisco best practices to configure NIC teaming load balancing for Cisco UCS B- Series blades that are connected to the Cisco ACI leaf switches? (Choose two.)

- A. Create vPC
- B. Enable MAC pinning
- C. Enable LACP active mode
- D. Create PAgP
- E. Create vPC+

Answer: [B,C \(LEAVE A REPLY\)](#)

NEW QUESTION: 40

Which two components must be configured as stretched to establish intra-VRF communication between two EPGs that are deployed in different sites and different bridge domains? (Choose two.)

- A. contract

- B. tenant
- C. application profile
- D. bridge domain
- E. EPG

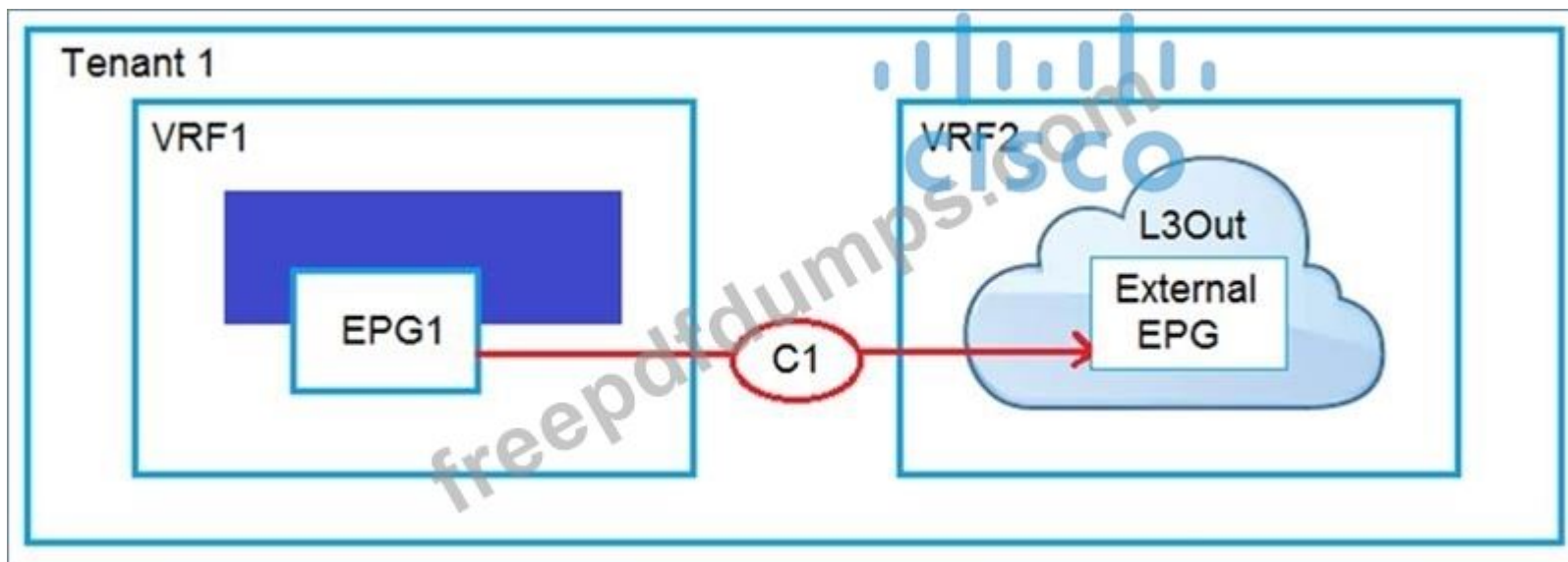
Answer: D,E (LEAVE A REPLY)

Section: Advanced ACI Policies and Integrations

Explanation/Reference: <https://www.cisco.com/c/en/us/solutions/collateral/data-center-virtualization/application-centric-infrastructure/white-paper-c11-739609.html>

NEW QUESTION: 41

Refer to the exhibit.



An engineer must have communication between EPG1 in VRF1 and External EPG in VRF2. Which three actions should be taken for the defined subnets in the L3Out External EPG to accomplish this goal? (Choose three.)

- A. Enable Shared Route Control Subnet
- B. Enable External Subnets for External EPG
- C. Enable Export Route Control Subnet
- D. Enable Aggregate Shared Routes
- E. Enable Import Route Control Subnet
- F. Enable Shared Security Import Subnet

Answer: C,E,F (LEAVE A REPLY)

Valid 300-630 Dumps shared by Actual4test.com for Helping Passing 300-630 Exam! Actual4test.com now offer the **newest 300-630 exam dumps**, the Actual4test.com 300-630 exam **questions have been updated** and **answers have been corrected** get the **newest** Actual4test.com 300-630 dumps with Test Engine here: https://www.actual4test.com/300-630_examcollection.html (120 Q&As Dumps, **30%OFF Special Discount: Freepdfdumps**)