

Fortinet.NSE7_OTS-7.2.v2024-06-24.q32

Exam Code:	NSE7_OTS-7.2
Exam Name:	Fortinet NSE 7 - OT Security 7.2
Certification Provider:	Fortinet
Free Question Number:	32
Version:	v2024-06-24
# of views:	1059
# of Questions views:	320
https://www.freepdfdumps.com/Fortinet.NSE7_OTS-7.2.v2024-06-24.q32.html	

NEW QUESTION: 1

What are two critical tasks the OT network auditors must perform during OT network risk assessment and management? (Choose two.)

- A. Planning a threat hunting strategy
- B. Implementing strategies to automatically bring PLCs offline
- C. Evaluating what can go wrong before it happens
- D. Creating disaster recovery plans to switch operations to a backup plant

Answer: A,D ([LEAVE A REPLY](#))

NEW QUESTION: 2

Refer to the exhibit and analyze the output.

```
[PH_DEV_MON_NET_INTF_UTIL] : [eventSeverity] =PHL_INFO, [filename] =phPerfJob.cpp,  
[lineNumber] =6646, [_intfName]= Intel [R] PRO_100 MT Network  
Connection, [_intfAlias] =, [hostname] =WIN2K8DC, [hostIpAddr] = 192.168.69.6,  
[pollIntv] =56, [rcvBytes64] =  
44273, [rcvBitsPerSec] = 6324.714286, [inIntfUtil] = 0.000632, [sentBytes64] =  
32014, [sentBitsPerSec] = 1171  
6.285714, [outIntfUtil] = 0.001172, [rcvPkts64] = 449, [sentPkts64] = 255,  
[inIntfPktErr] = 0, [inIntfPktErrPct] = 0.000000, [outIntfPktErr] =0,  
[outIntfPktErrPct] = 0.000000, [inIntfPktDiscarded] =0, [inIntfPktDiscardedPct] =
```

Which statement about the output is true?

- A. This is a sample of a PAM event type.
- B. This is a sample of a FortiAnalyzer system interface event log.
- C. This is a sample of FortiGate interface statistics.
- D. This is a sample of an SNMP temperature control event log.

Answer: A ([LEAVE A REPLY](#))

NEW QUESTION: 3

Refer to the exhibit.

	Name	Type	IP/Netmask	VLAN ID
Physical Interface 14				
	port1	Physical Interface	10.200.1.1/255.255.255.0	
	port1-vlan10	VLAN	10.1.10.1/255.255.255.0	10
	port1-vlan1	VLAN	10.200.5.1/255.255.255.0	1
	port10	Physical Interface	10.0.11.1/255.255.255.0	
	port2	Physical Interface	10.200.2.1/255.255.255.0	
	port2-vlan10	VLAN	10.0.10.1/255.255.255.0	10
	port2-vlan1	VLAN	10.0.5.1/255.255.255.0	1

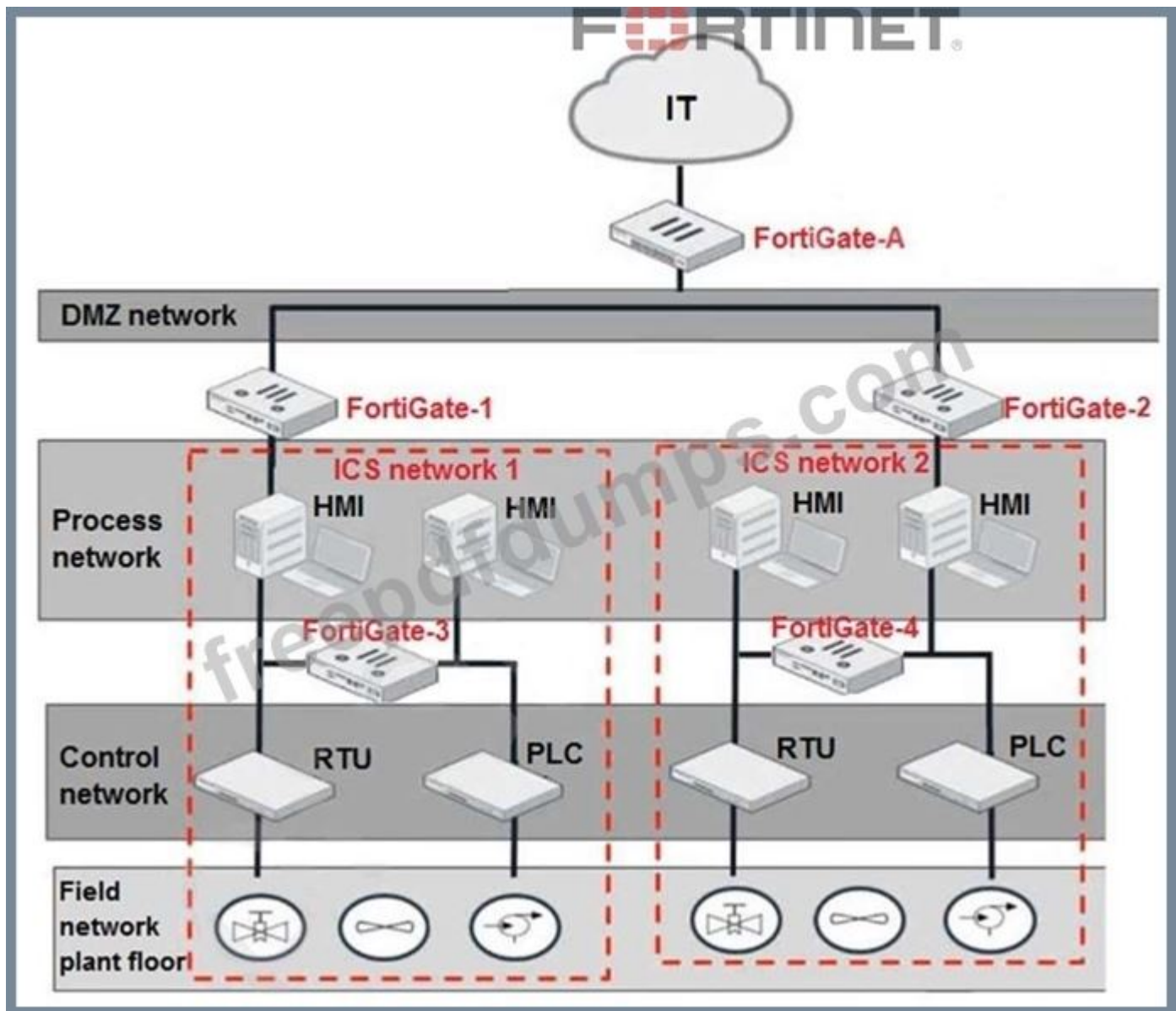
Which statement about the interfaces shown in the exhibit is true?

- A. port1, port1-vlan10, and port1-vlan1 are in different broadcast domains
- B. port2, port2-vlan10, and port2-vlan1 are part of the software switch interface.
- C. port1-vlan10 and port2-vlan10 are part of the same broadcast domain
- D. The VLAN ID of port1-vlan1 can be changed to the VLAN ID 10.

Answer: ([SHOW ANSWER](#))

NEW QUESTION: 4

Refer to the exhibit.



Based on the topology designed by the OT architect, which two statements about implementing OT security are true? (Choose two.)

- A. IT and OT networks are separated by segmentation.
- B. Firewall policies should be configured on FortiGate-3 and FortiGate-4 with industrial protocol sensors.
- C. Micro-segmentation can be achieved only by replacing FortiGate-3 and FortiGate-4 with a pair of FortiSwitch devices.
- D. FortiGate-3 and FortiGate-4 devices must be in a transparent mode.

Answer: A,B ([LEAVE A REPLY](#))

NEW QUESTION: 5

Which three criteria can a FortiGate device use to look for a matching firewall policy to process traffic?

(Choose three.)

- A. Services defined in the firewall policy.
- B. Source defined as internet services in the firewall policy

- C. Lowest to highest policy ID number
- D. Destination defined as internet services in the firewall policy
- E. Highest to lowest priority defined in the firewall policy

Answer: A,D,E (LEAVE A REPLY)

Explanation

The three criteria that a FortiGate device can use to look for a matching firewall policy to process traffic are:

A: Services defined in the firewall policy - FortiGate devices can match firewall policies based on the services defined in the policy, such as HTTP, FTP, or DNS.

D: Destination defined as internet services in the firewall policy - FortiGate devices can also match firewall policies based on the destination of the traffic, including destination IP address, interface, or internet services.

E: Highest to lowest priority defined in the firewall policy - FortiGate devices can prioritize firewall policies based on the priority defined in the policy. The device will process traffic against the policy with the highest priority first and move down the list until it finds a matching policy.

NEW QUESTION: 6

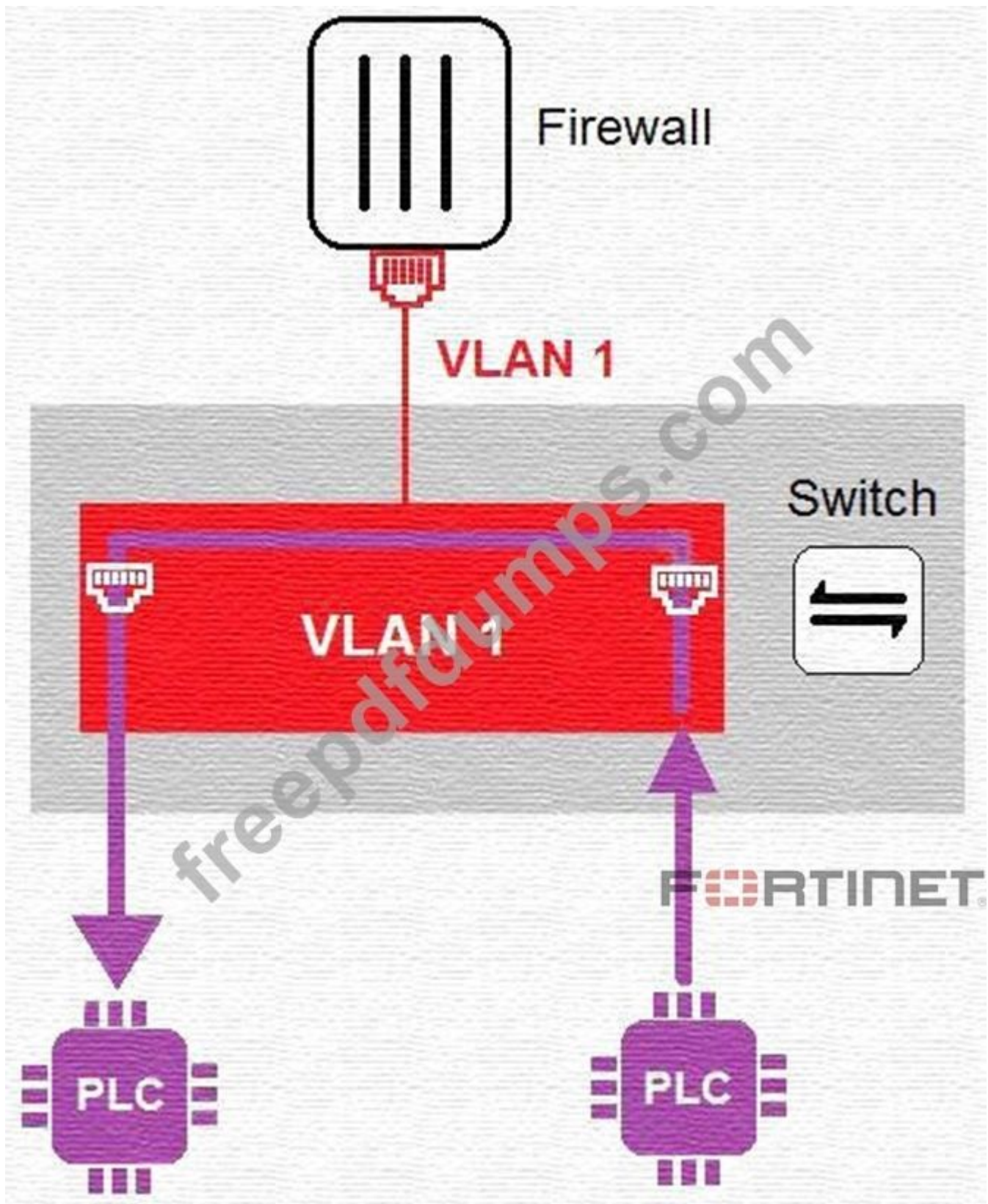
Which two statements about the Modbus protocol are true? (Choose two.)

- A. Modbus uses UDP frames to transport MBAP and function codes.
- B. You can implement Modbus networking settings on internetworking devices.
- C. Most of the PLC brands come with a built-in Modbus module.
- D. Modbus is used to establish communication between intelligent devices.

Answer: B,C (LEAVE A REPLY)

NEW QUESTION: 7

Refer to the exhibit



In the topology shown in the exhibit, both PLCs can communicate directly with each other, without going through the firewall.

Which statement about the topology is true?

- A. This integration solution expands VLAN capabilities from Layer 2 to Layer 3.
- B. There is no micro-segmentation in this topology.
- C. An administrator can create firewall policies in the switch to secure between PLCs.
- D. PLCs use IEEE802.1Q protocol to communicate each other.

Answer: B ([LEAVE A REPLY](#))

NEW QUESTION: 8

What are two benefits of a Nozomi integration with FortiNAC? (Choose two.)

- A. Direct VLAN assignment
- B. Adapter consolidation for multi-adapter hosts
- C. Enhanced point of connection details
- D. Importation and classification of hosts

Answer: C,D ([LEAVE A REPLY](#))

NEW QUESTION: 9

To increase security protection in an OT network, how does application control on FortiGate detect industrial traffic?

- A. By inspecting applications only on nonprotected traffic
- B. By inspecting software and software-based vulnerabilities
- C. By inspecting applications with more granularity by inspecting subapplication traffic
- D. By inspecting protocols used in the application traffic

Answer: A ([LEAVE A REPLY](#))

NEW QUESTION: 10

What two advantages does FortiNAC provide in the OT network? (Choose two.)

- A. It can be used for IoT device detection.
- B. It can be used for industrial intrusion detection and prevention.
- C. It can be used for network micro-segmentation.
- D. It can be used for device profiling.

Answer: ([SHOW ANSWER](#))

Typically, in a microsegmented network, NGFWs are used in conjunction with VLANs to implement security policies and to inspect and filter network communications. Fortinet FortiSwitch and FortiGate NGFW offer an integrated approach to microsegmentation.

NEW QUESTION: 11

Refer to the exhibit.

Maint	Device	Type	Organization	Avail Status	Perf Status	Security Status
●	FG240D3913800441	Fortinet FortiOS	Super	●	●	✖
●	SJ-QA-F-Lnx-CHK	Checkpoint FireWall	Super	●	●	⚠
●	FAPS321C-default	Fortinet FortiAP	Super		●	●

You are navigating through FortiSIEM in an OT network.

How do you view information presented in the exhibit and what does the FortiGate device security status tell you?

- A. In the widget dashboard and there are one or more high-severity incidents for the FortiGate device.
- B. In the PCI logging dashboard and there are one or more high-severity security incidents for the FortiGate device.
- C. In the business service dashboard and there are one or more high-severity security incidents for the FortiGate device.
- D. In the summary dashboard and there are one or more high-severity security incidents for the FortiGate device.

Answer: D (LEAVE A REPLY)

NEW QUESTION: 12

An OT supervisor needs to protect their network by implementing security with an industrial signature database on the FortiGate device.

Which statement about the industrial signature database on FortiGate is true?

- A. An administrator must create their own database using custom signatures.
- B. By default, the industrial database is enabled.
- C. A supervisor can enable it through the FortiGate CLI.
- D. A supervisor must purchase an industrial signature database and import it to the FortiGate.

Answer: C (LEAVE A REPLY)

NEW QUESTION: 13

Which two statements are true when you deploy FortiGate as an offline IDS? (Choose two.)

- A. Network traffic goes through FortiGate.
- B. FortiGate acts as network sensor.
- C. Network attacks can be detected and blocked.
- D. FortiGate receives traffic from configured port mirroring.

Answer: A,B (LEAVE A REPLY)

NEW QUESTION: 14

How can you achieve remote access and internet availability in an OT network?

- A. Create a back-end backup network as a redundancy measure.
- B. Create more access policies to prevent unauthorized access.
- C. Implement SD-WAN to manage traffic on each ISP link.
- D. Add additional internal firewalls to access OT devices.

Answer: ([SHOW ANSWER](#))

NEW QUESTION: 15

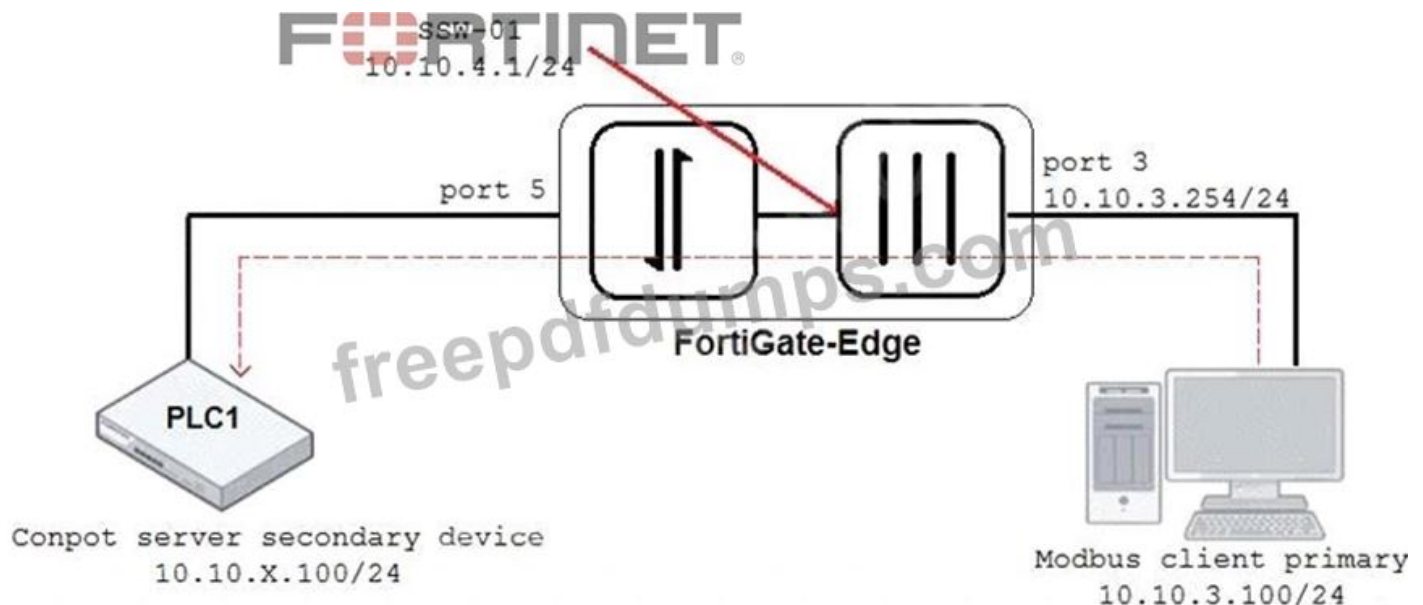
The OT network analyst runs different level of reports to quickly explore threats that exploit the network. Such reports can be run on all routers, switches, and firewalls. Which FortiSIEM reporting method helps to identify these type of exploits of image firmware files?

- A. OT/IoT reports
- B. CMDB reports
- C. Compliance reports
- D. Threat hunting reports

Answer: D ([LEAVE A REPLY](#))

NEW QUESTION: 16

Refer to the exhibit.



An OT architect has implemented a Modbus TCP with a simulation server Conpot to identify and control the Modbus traffic in the OT network. The FortiGate-Edge device is configured with a software switch interface ssw-01.

Based on the topology shown in the exhibit, which two statements about the successful simulation of traffic between client and server are true? (Choose two.)

- A. Port5 is not a member of the software switch.
- B. The FortiGate-Edge device must be in NAT mode.
- C. NAT is disabled in the FortiGate firewall policy from port3 to ssw-01.

D. The FortiGate devices is in offline IDS mode.

Answer: B,C (LEAVE A REPLY)

Valid NSE7_OTIS-7.2 Dumps shared by Actual4test.com for Helping Passing NSE7_OTIS-7.2 Exam! Actual4test.com now offer the **newest NSE7_OTIS-7.2 exam dumps**, the Actual4test.com NSE7_OTIS-7.2 exam **questions have been updated** and **answers have been corrected** get the **newest** Actual4test.com NSE7_OTIS-7.2 dumps with Test Engine here: https://www.actual4test.com/NSE7_OTIS-7.2_examcollection.html (70 Q&As Dumps, **30%OFF Special Discount: Freepdfdumps**)

NEW QUESTION: 17

An administrator wants to use FortiSoC and SOAR features on a FortiAnalyzer device to detect and block any unauthorized access to FortiGate devices in an OT network.

Which two statements about FortiSoC and SOAR features on FortiAnalyzer are true? (Choose two.)

- A. You must set correct operator in event handler to trigger an event.
- B. You can automate SOC tasks through playbooks.
- C. Each playbook can include multiple triggers.
- D. You cannot use Windows and Linux hosts security events with FortiSoC.

Answer: A,B (LEAVE A REPLY)

Ref: <https://docs.fortinet.com/document/fortianalyzer/7.0.0/administration-guide/268882/fortisoc>

NEW QUESTION: 18

Refer to the exhibit.

Name	Type	IP/Netmask	VLAN ID
Physical Interface 14			
port1	Physical Interface	10.200.1.1/255.255.255.0	
port1-vlan10	VLAN	10.1.10.1/255.255.255.0	10
port1-vlan1	VLAN	10.200.5.1/255.255.255.0	1
port10	Physical Interface	10.0.11.1/255.255.255.0	
port2	Physical Interface	10.200.2.1/255.255.255.0	
port2-vlan10	VLAN	10.0.10.1/255.255.255.0	10
port2-vlan1	VLAN	10.0.5.1/255.255.255.0	1

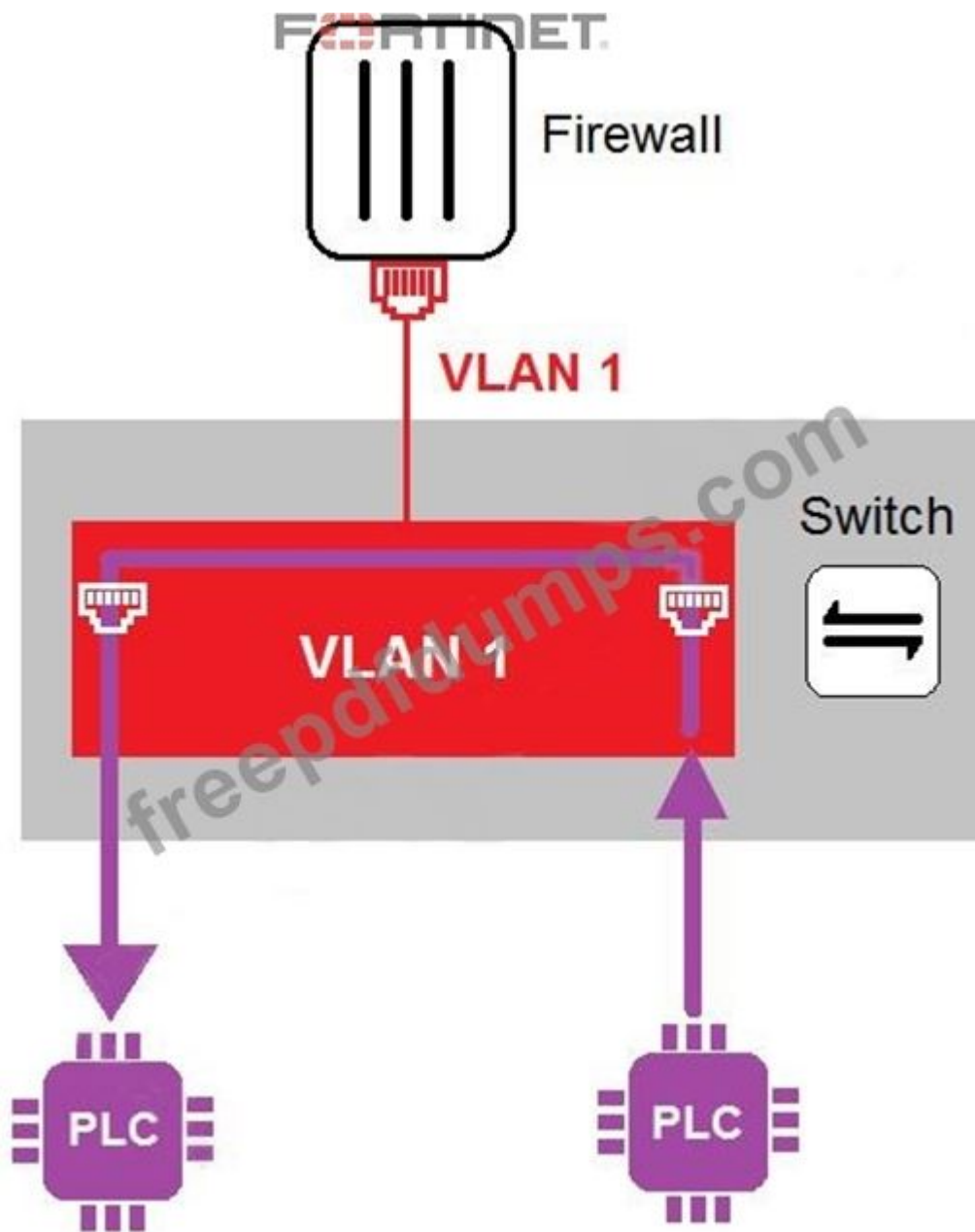
Which statement about the interfaces shown in the exhibit is true?

- A. port2, port2-vlan10, and port2-vlan1 are part of the software switch interface.
- B. port1-vlan10 and port2-vlan10 are part of the same broadcast domain
- C. port1, port1-vlan10, and port1-vlan1 are in different broadcast domains
- D. The VLAN ID of port1-vlan1 can be changed to the VLAN ID 10.

Answer: ([SHOW ANSWER](#))

NEW QUESTION: 19

Refer to the exhibit



In the topology shown in the exhibit, both PLCs can communicate directly with each other, without going through the firewall.

Which statement about the topology is true?

- A. PLCs use IEEE802.1Q protocol to communicate each other.
- B. There is no micro-segmentation in this topology.
- C. This integration solution expands VLAN capabilities from Layer 2 to Layer 3.
- D. An administrator can create firewall policies in the switch to secure between PLCs.

Answer: B (LEAVE A REPLY)

NEW QUESTION: 20

You are investigating a series of incidents that occurred in the OT network over past 24 hours in FortiSIEM.

Which three FortiSIEM options can you use to investigate these incidents? (Choose three.)

- A. IPS

- B. Overview
- C. List
- D. Security
- E. Risk

Answer: ([SHOW ANSWER](#))

NEW QUESTION: 21

Refer to the exhibit.



Based on the Purdue model, which three measures can be implemented in the control area zone using the Fortinet Security Fabric? (Choose three.)

- A. FortiSIEM for security incident and event management
- B. FortiEDR for endpoint detection
- C. FortiNAC for network access control
- D. FortiGate for SD-WAN
- E. FortiGate for application control and IPS

Answer: B,C,E ([LEAVE A REPLY](#))

NEW QUESTION: 22

As an OT network administrator, you are managing three FortiGate devices that each protect different levels on the Purdue model. To increase traffic visibility, you are required to implement additional security measures to detect exploits that affect PLCs.

Which security sensor must implement to detect these types of industrial exploits?

- A. Deep packet inspection (DPI)
- B. Antivirus inspection
- C. Application control
- D. Intrusion prevention system (IPS)

Answer: ([SHOW ANSWER](#))

NEW QUESTION: 23

Refer to the exhibit.

110 Cloud Applications require deep inspection
0 policies are using this profile.

Name: Allow_IEC.104_Transfer
Comments: 0/255

Categories

All Categories

- Business (153, 6)
- Game (86)
- Network.Service (333)
- Social.Media (117, 30)
- VoIP (23)
- Cloud.IT (67, 1)
- General.Interest (236, 9)
- P2P (56)
- Storage.Backup (161, 19)
- Web.Client (24)
- Collaboration (267, 14)
- Industrial (225)
- Proxy (180)
- Update (49)
- Unknown Applications

Network Protocol Enforcement

Application and Filter Overrides

Priority	Details	Type	Action
1	IEC.60870.5.104_Information.Transfer IEC.60870.5.104_Control.Functions IEC.60870.5.104_Control.Functions.STARTDT.ACT IEC.60870.5.104_Control.Functions.STARTDT.CON	Application	Monitor
2	IEC.60870.5.104_Information.Transfer.C.BO.NA.1	Application	Block

An OT network security audit concluded that the application sensor requires changes to ensure the correct security action is committed against the overrides filters.

Which change must the OT network administrator make?

- A. Set all application categories to apply default actions.
- B. Change the security action of the industrial category to monitor.
- C. Set the priority of the C.BO.NA.1 signature override to 1.
- D. Remove IEC.60870.5.104 Information.Transfer from the first filter override.

Answer: D (LEAVE A REPLY)

According to the Fortinet NSE 7 - OT Security 6.4 exam guide¹, the application sensor settings allow you to configure the security action for each application category and network protocol override. The security action determines how the FortiGate unit handles traffic that matches the application category or network protocol override. The security action can be one of the following:

- * Allow: The FortiGate unit allows the traffic without any further inspection.
- * Monitor: The FortiGate unit allows the traffic and logs it for monitoring purposes.
- * Block: The FortiGate unit blocks the traffic and logs it as an attack.

The priority of the network protocol override determines the order in which the FortiGate unit applies the security action to the traffic. The lower the priority number, the higher the priority. For example, a priority of 1 is higher than a priority of 10.

In the exhibit, the application sensor has the following settings:

- * The industrial category has a security action of allow, which means that the FortiGate unit will not inspect or log any traffic that belongs to this category.
- * The IEC.60870.5.104 Information.Transfer network protocol override has a security action of block, which means that the FortiGate unit will block and log any traffic that matches this protocol.
- * The IEC.60870.5.104 Control.Functions network protocol override has a security action of monitor, which means that the FortiGate unit will allow and log any traffic that matches this protocol.
- * The IEC.60870.5.104 Start/Stop network protocol override has a security action of allow, which means that the FortiGate unit will not inspect or log any traffic that matches this protocol.
- * The IEC.60870.5.104 Transfer.C.BO.NA.1 network protocol override has a security action of block, which means that the FortiGate unit will block and log any traffic that matches this protocol.

The problem with these settings is that the IEC.60870.5.104 Transfer.C.BO.NA.1 network protocol override has a lower priority than the IEC.60870.5.104 Information.Transfer network protocol override. This means that if the traffic matches both protocols, the FortiGate unit will apply the security action of the higher priority override, which is block. However, the IEC.60870.5.104 Transfer.C.BO.NA.1 protocol is used to transfer binary outputs, which are essential for controlling OT devices. Therefore, blocking this protocol could have negative consequences for the OT network.

To fix this issue, the OT network administrator must set the priority of the IEC.60870.5.104 Transfer.C.BO.NA.1 network protocol override to 1, which is higher than the priority of the IEC.60870.5.104 Information.Transfer network protocol override. This way, the FortiGate unit will apply the security action of the lower priority override, which is allow, to the traffic that matches both protocols. This will ensure that the FortiGate unit does not block the traffic that is used to transfer binary outputs, while still blocking the traffic that is used to transfer information.

1: NSE 7 Network Security Architect - Fortinet

NEW QUESTION: 24

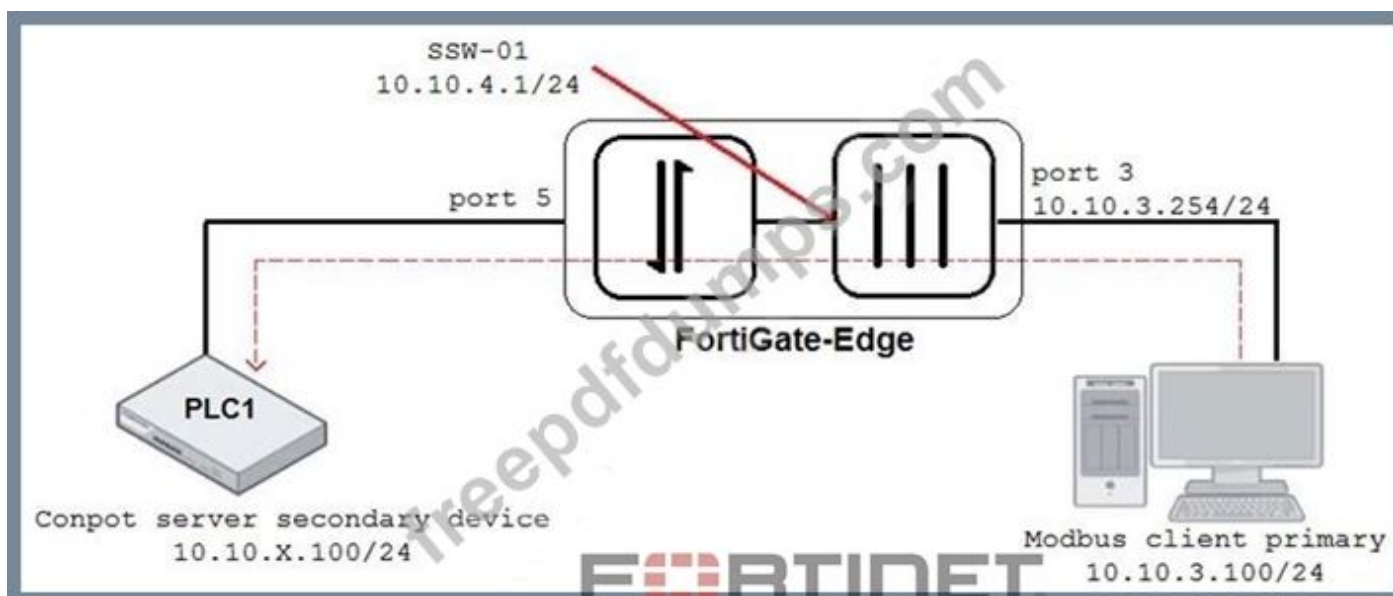
Which statement about the IEC 104 protocol is true?

- A. IEC 104 is used for telecontrol SCADA in electrical engineering applications.
- B. IEC 104 uses non-TCP/IP standards.
- C. IEC 104 protects data transmission between OT devices and services.
- D. IEC 104 is IEC 101 compliant in old SCADA systems.

Answer: A (LEAVE A REPLY)

NEW QUESTION: 25

Refer to the exhibit.



An OT architect has implemented a Modbus TCP with a simulation server Conpot to identify and control the Modbus traffic in the OT network. The FortiGate-Edge device is configured with a software switch interface ssw-01.

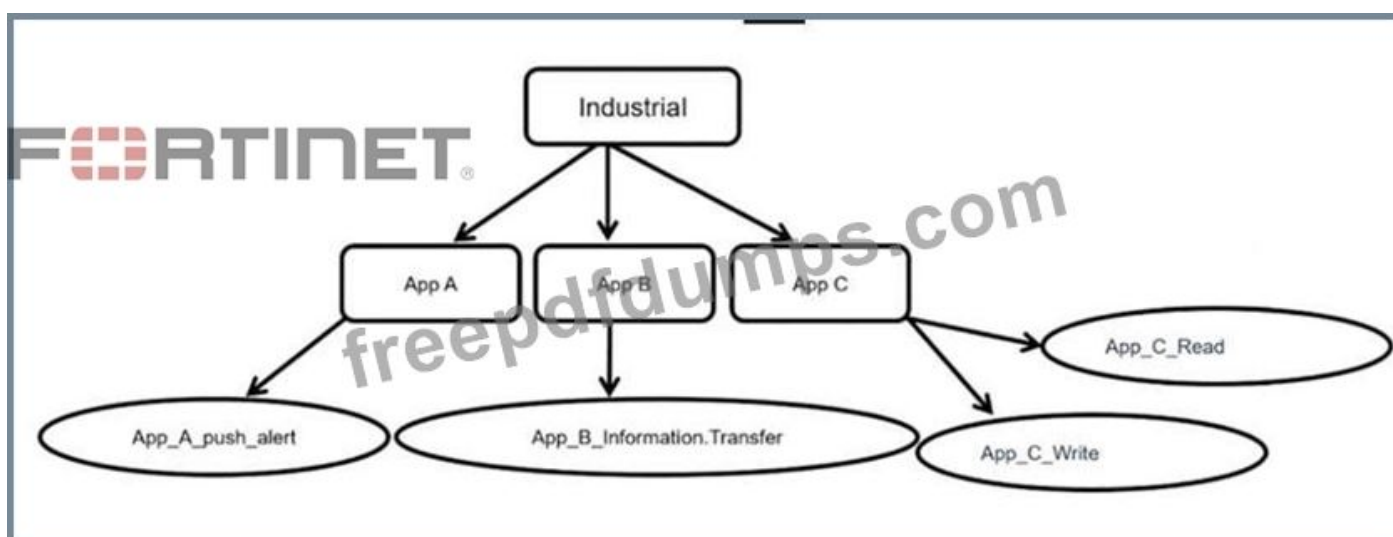
Based on the topology shown in the exhibit, which two statements about the successful simulation of traffic between client and server are true? (Choose two.)

- A. The FortiGate devices is in offline IDS mode.
- B. NAT is disabled in the FortiGate firewall policy from port3 to ssw-01.
- C. Port5 is not a member of the software switch.
- D. The FortiGate-Edge device must be in NAT mode.

Answer: ([SHOW ANSWER](#))

NEW QUESTION: 26

Refer to the exhibit.



Which statement is true about application control inspection?

- A. Security actions cannot be applied on the lowest level of the hierarchy.
- B. The parent signature takes precedence over the child application signature.
- C. You can control security actions only on the parent-level application signature

D. The industrial application control inspection process is unique among application categories.

Answer: C ([LEAVE A REPLY](#))

NEW QUESTION: 27

An OT network architect must deploy a solution to protect fuel pumps in an industrial remote network. All the fuel pumps must be closely monitored from the corporate network for any temperature fluctuations.

How can the OT network architect achieve this goal?

- A. Configure a fuel server on the remote network, and deploy a FortiSIEM with a single pattern temperature security rule on the corporate network.
- B. Configure a fuel server on the corporate network, and deploy a FortiSIEM with a single pattern temperature performance rule on the remote network.
- C. Configure a fuel server on the remote network, and deploy a FortiSIEM with a single pattern temperature performance rule on the corporate network.
- D. Configure both fuel server and FortiSIEM with a single-pattern temperature performance rule on the corporate network.

Answer: C ([LEAVE A REPLY](#))

This way, FortiSIEM can discover and monitor everything attached to the remote network and provide security visibility to the corporate network

NEW QUESTION: 28

Refer to the exhibit.



The screenshot shows a report titled "Router/Switch Image Distribution" with a table of device inventory. The table has columns for Device Name, Device Type Vendor, Device Type Model, Device Hardware Model, Device Image File, and Count. There are three rows of data.

Device Name	Device Type Vendor	Device Type Model	Device Hardware Model	Device Image File	Count
SJ-QA-A-IOS-JunOffice	Cisco	IOS	1760	C1700-advsecurityk9-mz.123-8.T4.bin	1
SJ-Main-Cat6500	Cisco	IOS	WS-C6509	s72033-advipservicesk9_wan-mz.122-33.SX11.bin	1
ph-network-3560_1	Cisco	IOS	WS-C3560G-48PS-S	c3560-advipservicesk9-mz.122-25.SEE4.bin	1

An OT administrator ran a report to identify device inventory in an OT network.

Based on the report results, which report was run?

- A. A FortiSIEM CMDB report
- B. A FortiSIEM incident report
- C. A FortiSIEM analytics report
- D. A FortiAnalyzer device report

Answer: A ([LEAVE A REPLY](#))

NEW QUESTION: 29

An OT supervisor has configured LDAP and FSSO for the authentication. The goal is that all the users be authenticated against passive authentication first and, if passive authentication is not successful, then users should be challenged with active authentication.

What should the OT supervisor do to achieve this on FortiGate?

- A. Configure a firewall policy with LDAP users and place it on the top of list of firewall policies.
- B. Enable two-factor authentication with FSSO.
- C. Configure a firewall policy with FSSO users and place it on the top of list of firewall policies.
- D. Under config user settings configure set auth-on-demand implicit.

Answer: ([SHOW ANSWER](#))

Explanation

The OT supervisor should configure a firewall policy with FSSO users and place it on the top of list of firewall policies in order to achieve the goal of authenticating users against passive authentication first and, if passive authentication is not successful, then challenging them with active authentication.

NEW QUESTION: 30

Refer to the exhibit.

```
config system interface
  edit VLAN101_dmz
    set forward-domain 101
  next
  edit VLAN101_internal
    set forward-domain 101
end
```

Given the configurations on the FortiGate, which statement is true?

- A. FortiGate is configured with forward-domains to forward only domain controller traffic.
- B. FortiGate is configured with forward-domains to forward only company domain website traffic.
- C. FortiGate is configured with forward-domains to reduce unnecessary traffic.
- D. FortiGate is configured with forward-domains to filter and drop non-domain controller traffic.

Answer: C ([LEAVE A REPLY](#))

NEW QUESTION: 31

Refer to the exhibits.

APPLICATION RISK

Definition

Key Applications Crossing The Network

Application Categories

Web Applications

Web Categories In Use

Application

Key Applications Crossing The

The section below shows the top 30 application using, sorted by application category and techn session count. This provides a more complete v decision-making for overall application control p

#	Risk	Application Name	Category
1	2	IEC.60870.5.104_Supervisory.Functions	Industr
2	2	Modbus_Diagnosti cs	Industr

Figure 4: Top applications that are cons

Files/File Types Transferred by Applications

Recommended Actions

About FortiGuard Key Services

Web Applications

Web Categories In Use

Application

Vulnerability Exploits

Malware: Viruses, Bots, Spyware/Adware

Zero-day Attacks Detected On The Network

Files/File Types Transferred

Applications that have ability to transfer f int applications. Knowing which types of files a to mitigate the risk by setting up approp Fortinet next generation firewall system.

The section below lists the most common file

#	File Name	U
1	0e 01 01 00 00 03 00 07 53 69 65 6d 6 c 5 6e 73 01 07 53 49 4d 41 54 49 43 02 06 53 37 2d 32 30 30	
2	01 06 00 2a 04 05 00 00 cd eb f5 c6 0 c 0	
3	01 06 00 00 04 05 00 00 cd f0 d7 c5 0 c 0	
4	01 06 00 13 04 05 00 00 33 f7 30 46 0 c 0	
5	01 06 00 1e 04 05 00 00 cd 4c 2d c3 0 c 0	
6	01 06 00 29 04 05 00 00 00 90 2a c5 0 c 0	
7	01 06 00 04 04 05 00 00 cd 7a 21 c6 0 c 0	

- Which statement about some of the generated report elements from FortiAnalyzer is true?
- A. The report confirms Modbus and IEC 104 are the key applications crossing the network.
 - B. The file types confirm the infected applications on the PLCs.

- C. This report is predefined and is not available for customization.
- D. FortiGate collects the logs and generates the report to FortiAnalyzer.

Answer: A ([LEAVE A REPLY](#))

Valid NSE7_OTTS-7.2 Dumps shared by Actual4test.com for Helping Passing NSE7_OTTS-7.2 Exam! Actual4test.com now offer the **newest NSE7_OTTS-7.2 exam dumps**, the Actual4test.com NSE7_OTTS-7.2 exam **questions have been updated** and **answers have been corrected** get the **newest** Actual4test.com NSE7_OTTS-7.2 dumps with Test Engine here: https://www.actual4test.com/NSE7_OTTS-7.2_examcollection.html (70 Q&As Dumps, **30%OFF Special Discount: Freepdfdumps**)

NEW QUESTION: 32

What are two benefits of a Nozomi integration with FortiNAC? (Choose two.)

- A. Enhanced point of connection details
- B. Direct VLAN assignment
- C. Adapter consolidation for multi-adapter hosts
- D. Importation and classification of hosts

Answer: ([SHOW ANSWER](#))

Explanation

The two benefits of a Nozomi integration with FortiNAC are enhanced point of connection details and importation and classification of hosts. Enhanced point of connection details allows for the identification and separation of traffic from multiple points of connection, such as Wi-Fi, wired, cellular, and VPN. Importation and classification of hosts allows for the automated importing and classification of host and device information into FortiNAC. This allows for better visibility and control of the network.

Valid NSE7_OTTS-7.2 Dumps shared by Actual4test.com for Helping Passing NSE7_OTTS-7.2 Exam! Actual4test.com now offer the **newest NSE7_OTTS-7.2 exam dumps**, the Actual4test.com NSE7_OTTS-7.2 exam **questions have been updated** and **answers have been corrected** get the **newest** Actual4test.com NSE7_OTTS-7.2 dumps with Test Engine here: https://www.actual4test.com/NSE7_OTTS-7.2_examcollection.html (70 Q&As Dumps, **30%OFF Special Discount: Freepdfdumps**)