

## Huawei.H12-425\_V2.0-ENU.v2024-07-12.q285

|   |   |
|---|---|
| <b>Exam Code:</b>   | H12-425_V2.0-ENU                          |
| <b>Exam Name:</b>   | HCIP-Data Center Facility Deployment V2.0 |
| <b>Certification Provider:</b>  | Huawei                                    |
| <b>Free Question Number:</b>  | 285                                       |
| <b>Version:</b>   | v2024-07-12                               |
| <b># of views:</b>  | 626                                       |
| <b># of Questions views:</b>  | 2850                                      |
| <a href="https://www.freepdfdumps.com/Huawei.H12-425_V2.0-ENU.v2024-07-12.q285.html">https://www.freepdfdumps.com/Huawei.H12-425_V2.0-ENU.v2024-07-12.q285.html</a> |   |

### NEW QUESTION: 1

The terminal power of the battery in the open circuit state is called ().

- A. Discharge voltage
- B. Actual voltage
- C. Rated voltage
- D. Open-circuit voltage

**Answer: D (LEAVE A REPLY)**

### NEW QUESTION: 2

The power system of a UPS2000-G-15K at a site is three-phase input and single-phase output. After installation, it is found that the mains and bypass inputs are three-phase, the output is single-phase, and the mains and bypass inputs share a power source. Which of the following statements are true about the UPS wiring mode?

- A. The wiring mode is incorrect. The correct wiring mode should be single-phase bypass input, three-phase mains input, and one power source.
- B. The wiring mode is incorrect. The UPS cannot work in battery mode, but can still work in bypass mode or inverter mode.
- C. The wiring mode is correct. The UPS can start properly.
- D. The wiring mode is incorrect, if the upstream mains input switch is turned on, the UPS will be short-circuited and damaged immediately.

**Answer: D (LEAVE A REPLY)**

### NEW QUESTION: 3

Which of the following cladding scenarios does FusionMoudle2000 support? (Multiple choice)

- A. Columns are located between columns
- B. The column is located in the channel
- C. The column is located at the head or tail of the column

D. Column spanning aisle and column

**Answer: A,B,C,D ([LEAVE A REPLY](#))**

**NEW QUESTION: 4**

When the NETCOL5000-A air conditioner is turned on for commissioning, the possible cause of the exhaust high pressure alarm, which is incorrect?

- A. The outdoor fan cannot be started
- B. Too little cold dish charge
- C. Outdoor fan speed pot bottom
- D. Too much cold dish charge

**Answer: ([SHOW ANSWER](#))**

**NEW QUESTION: 5**

If the customer has high requirements on the availability of the management system and requires that the normal use of the system is not affected by a single point of failure of the hardware, the NetEco management system can provide a high-availability solution of dual-system backup. In the dual-computer solution, what hardware resources are required by NetEco?

- A. None of the above is true
- B. 2 servers + 2 disk arrays + 3 switches
- C. 2 servers + 1 disk array + 1 switch
- D. 1 server + 1 t-disk array + 2 switches

**Answer: B ([LEAVE A REPLY](#))**

**NEW QUESTION: 6**

When a fire breaks out in the box and the fire extinguishing device releases the fire extinguishing agent into the protection area, ( ) will display the words "In The Vent, Do Not Enter".

- A. Deflation indicator light
- B. Fire alarm
- C. Emergency Lights
- D. Sound and light alarm

**Answer: A ([LEAVE A REPLY](#))**

**NEW QUESTION: 7**

Alarms of all devices can be displayed on NETECO, but corresponding alarms cannot be automatically formed into work orders and sent to handlers.

- A. False
- B. True

**Answer: A ([LEAVE A REPLY](#))**

**NEW QUESTION: 8**

FusionModule2000 can implement battery enlisting or not enlisting according to different layouts.

- A. False
- B. True

Answer: ([SHOW ANSWER](#))

**NEW QUESTION: 9**

During the stable operation of the NECOL5000-A35KW air conditioner compressor, the oil level that can be observed by the sight glass is considered qualified at the position of ().

- A. 1/3-1
- B. 0-14
- C. 1/4-1/2
- D. > 1

Answer: A ([LEAVE A REPLY](#))

**NEW QUESTION: 10**

Common monitoring software structures include B/S and C/S structures.

- A. FALSE
- B. TRUE

Answer: B ([LEAVE A REPLY](#))

**NEW QUESTION: 11**

The recommended installation location of the smart ETH socket is ().

- A. Inside the lintel
- B. Inside the network cabinet
- C. Control the sunroof
- D. The side of the cable trough at the top of the cabinet

Answer: D ([LEAVE A REPLY](#))

**NEW QUESTION: 12**

When the NETCOL5000-A air conditioner is turned on for commissioning, the possible cause of the exhaust high pressure alarm, which is incorrect?

- A. Too little cold dish charge
- B. Too much cold dish charge
- C. The outdoor fan cannot be started
- D. Outdoor fan speed pot bottom

Answer: ([SHOW ANSWER](#))

**NEW QUESTION: 13**

After the PowerEcho is installed, the default user name is admin. After logging in for the first time and changing the password, if you forget the password, you can retrieve and reset the password through project verification.

- A. FALSE

B. TRUE

Answer: A ([LEAVE A REPLY](#))

**NEW QUESTION: 14**

What are the reasons why FusionModule500 & FusionModule800 are generally recommended to customers for typical configuration solutions? (Multiple choice)

A. Typical solutions are more competitive

B. The existing typical configuration scheme can basically cover most of the small computer room usage scenarios

C. The typical configuration scheme has a shorter lead time than the customized scheme

D. Typical configuration solutions are better than customized solutions

Answer: A,B,C,D ([LEAVE A REPLY](#))

**NEW QUESTION: 15**

What is the channel width of Huawei FusionModule2000?

A. 1100mm

B. 1300mm

C. 1000mm

D. 1200mm

Answer: D ([LEAVE A REPLY](#))

**NEW QUESTION: 16**

Commissioning NetCol5000-C drainage devices, after lifting the high float for 5 seconds, two water pumps start working, and the drain abnormal alarm is generated.

A. False

B. True

Answer: B ([LEAVE A REPLY](#))

**Valid H12-425\_V2.0-ENU Dumps** shared by Actual4test.com for Helping Passing H12-425\_V2.0-ENU Exam! Actual4test.com now offer the **newest H12-425\_V2.0-ENU exam dumps**, the Actual4test.com H12-425\_V2.0-ENU exam **questions have been updated** and **answers have been corrected** get the **newest** Actual4test.com H12-425\_V2.0-ENU dumps with Test Engine here: [https://www.actual4test.com/H12-425\\_V2.0-ENU\\_examcollection.html](https://www.actual4test.com/H12-425_V2.0-ENU_examcollection.html) (**468 Q&As Dumps, 30%OFF Special Discount: Freepdfdumps**)

**NEW QUESTION: 17**

Which type of circuit breaker used in the sub-circuit of the PDU8000 precision power distribution cabinet?

A. Miniature circuit breakers

- B. Disconnect switch
- C. Frame circuit breaker
- D. Molded Case Circuit Breakers

**Answer:** ([SHOW ANSWER](#))

**NEW QUESTION: 18**

When the single unit is working, the load of the UPS2000-G is connected to the PL, what will cause the load to be powered off? (Multiple choice)

- A. Mains input interruption
- B. Mains low voltage
- C. Battery Low Voltage
- D. Overload

**Answer:** C,D ([LEAVE A REPLY](#))

**NEW QUESTION: 19**

When multiple FusionModule products are used in the same project, when configuring NetEco, the associated application scenario should select?

- A. FusionModule2000
- B. Associate FusionMoudle series
- C. FusionMoudle5000
- D. Customize

**Answer:** ([SHOW ANSWER](#))

**NEW QUESTION: 20**

Which of the following requires a cooling tower or drycooler?

- A. DX air cooled air conditioner.
- B. Direct ventilation air conditioning system.
- C. DX water cooled air conditioner.
- D. CW air cooled air conditioner.

**Answer:** ([SHOW ANSWER](#))

**NEW QUESTION: 21**

When the indoor unit and outdoor unit of NETCOL5000-A are separated and have not been installed, the refrigerant pipeline is ().

- A. Refrigerant
- B. Nitrogen
- C. Oxygen
- D. Air

**Answer:** B ([LEAVE A REPLY](#))

**NEW QUESTION: 22**

In FusionModule1000B series solutions, when 2N power supply and distribution system is selected, can meet TIER4 wind power requirements.

- A. False
- B. True

**Answer: A ([LEAVE A REPLY](#))**

**NEW QUESTION: 23**

In the UPS5000 configurator, what are the optional module types? (Multiple choice)

- A. 60k
- B. 50k standard effect
- C. 50k high efficiency
- D. 25k

**Answer: A,B,C,D ([LEAVE A REPLY](#))**

**NEW QUESTION: 24**

Modifying the micro-module layout view on ECC800 supports simultaneous editing by ( ) users.

- A. 1
- B. 4
- C. 2
- D. 3

**Answer: ([SHOW ANSWER](#))**

**NEW QUESTION: 25**

Which of the following menus can be used by engineers to manually add devices on the NetEco?

- A. Data center planning
- B. Report management
- C. Alarm management
- D. System management

**Answer: D ([LEAVE A REPLY](#))**

**NEW QUESTION: 26**

The dry contact signal of UPS5000-E does not support the remote emergency stop function.

- A. TRUE
- B. FALSE

**Answer: ([SHOW ANSWER](#))**

**NEW QUESTION: 27**

The UPS5000-E-200K works in normal mode. If two ECMs are faulty, how does the UPS work?

- A. The UPS switches to battery mode.
- B. The LCD is off, but the UPS still works in normal mode.
- C. The UPS transfers to bypass mode.

D. The UPS has no output.

**Answer: C** ([LEAVE A REPLY](#))

**NEW QUESTION: 28**

To determine whether the R410A refrigerant meets requirements, compare the internal pressure of the refrigerant with the saturation pressure corresponding to the refrigerant temperature. If the difference between the internal pressure and the saturation pressure is within the range of which of the following, replace the refrigerant?

A. 0.05-0.1 MPa

B. 0.1-0.2 MPa

C. 0.25-0.3 MPa

D. 0-0.05 MPa

**Answer: A** ([LEAVE A REPLY](#))

**NEW QUESTION: 29**

Users can monitor the status of equipment such as UPS and air conditioners on the ECC800.

A. True

B. False

**Answer:** ([SHOW ANSWER](#))

**NEW QUESTION: 30**

The height of the FusionModule500&FusionModule800 cabinet is 24U, and both 42U are optional.

A. True

B. False

**Answer: B** ([LEAVE A REPLY](#))

**NEW QUESTION: 31**

What is the possible cause of the high discharge temperature of the NETCOL5000-A air conditioner compressor? (Multiple choice)

A. Too little refrigerant charge

B. Refrigerant circuit or device blockage

C. The condenser is dirty and blocked, resulting in poor heat dissipation

D. The installation position of the outdoor unit is wrong

**Answer: A,B,C,D** ([LEAVE A REPLY](#))

**Valid H12-425\_V2.0-ENU Dumps** shared by Actual4test.com for Helping Passing H12-425\_V2.0-ENU Exam! Actual4test.com now offer the **newest H12-425\_V2.0-ENU exam dumps**, the Actual4test.com H12-425\_V2.0-ENU exam **questions have been updated** and

**answers have been corrected** get the **newest** Actual4test.com H12-425\_V2.0-ENU dumps with Test Engine here: [https://www.actual4test.com/H12-425\\_V2.0-ENU\\_examcollection.html](https://www.actual4test.com/H12-425_V2.0-ENU_examcollection.html) (468 Q&As Dumps, **30%OFF** Special Discount: **Freepdfdumps**)

**NEW QUESTION: 32**

UPS5000-A-400/500K can support up to () parallel machine with good scalability.

- A. 3
- B. 2
- C. 6
- D. 4

**Answer:** ([SHOW ANSWER](#))

**NEW QUESTION: 33**

By setting the mailbox parameters, the NETECO system will send emails to notify users according to the set rules.

- A. True
- B. False

**Answer:** A ([LEAVE A REPLY](#))

**NEW QUESTION: 34**

The UPS2000-G-(6-20KVA) does not report a fault but the load is powered off, which may be caused by the poor connection of the output cable.

- A. False
- B. True

**Answer:** ([SHOW ANSWER](#))

**NEW QUESTION: 35**

UPS5000-A has built-in SNMP and ModBus card to reduce the management investment cost of customers.

- A. False
- B. True

**Answer:** B ([LEAVE A REPLY](#))

**NEW QUESTION: 36**

When a single machine is working, after the UPS2000-G machine classification power-off function is disabled, the PL port has no output when it is overloaded or the battery voltage is low.

- A. True
- B. False

**Answer:** ([SHOW ANSWER](#))

**NEW QUESTION: 37**

FusionModule500&FusionModule800 display brand optional ()?

- A. Huawei Honor
- B. Blu-ray
- C. apple
- D. Samsung

Answer: ([SHOW ANSWER](#))

**NEW QUESTION: 38**

When installing NETECL5000-A35KW, generally at least pre-charge () KG refrigerant.

- A. 8
- B. 10
- C. 12
- D. 5

Answer: ([SHOW ANSWER](#))

**NEW QUESTION: 39**

The parameter display of the PDU8000 smart power meter is abnormal, which may be due to?  
(Multiple choice)

- A. Smart power meter failure
- B. The corresponding voltage acquisition circuit is abnormal
- C. The current or voltage change is set incorrectly
- D. Corresponding current transformer fault

Answer: A,B,C,D ([LEAVE A REPLY](#))

**NEW QUESTION: 40**

What operations can be performed in the NetEco "Report Task" interface? (Multiple choice)

- A. Start the report task
- B. Stop the report task
- C. Create report task
- D. View Report Tasks

Answer: ([SHOW ANSWER](#))

**NEW QUESTION: 41**

Two UPS5000-E (50kVA power modules) 150kVA, rack 1+1 redundancy, in the total input power cabinet, the required total input switch is ()

- A. 320A
- B. 630A
- C. 500A
- D. 250A

Answer: A ([LEAVE A REPLY](#))

**NEW QUESTION: 42**

What are the main components of the natural cooling source system? (Multiple choice)

- A. Chilled water cooling scheme
- B. Natural cooling on the water side
- C. Direct ventilation and natural cooling
- D. Natural cooling by runner heat exchange

Answer: ([SHOW ANSWER](#))

**NEW QUESTION: 43**

The NETECO system can define the alarm sound for the alarms of different levels.

- A. FALSE
- B. TRUE

Answer: B ([LEAVE A REPLY](#))

**NEW QUESTION: 44**

Huawei precision air conditioners support up to () air conditioners to form a group control.

- A. 32
- B. 8
- C. 40
- D. 16

Answer: ([SHOW ANSWER](#))

**NEW QUESTION: 45**

Users can modify the login password in the () menu of the ECC800 WEB interface.

- A. User Management
- B. Version information
- C. Electronic label
- D. System upgrade

Answer: ([SHOW ANSWER](#))

**NEW QUESTION: 46**

In the water-side free cooling solution, cold water cannot be transported directly from the cooling tower to chilled conditioner?

- A. True
- B. False

Answer: A ([LEAVE A REPLY](#))

**dumps**, the Actual4test.com H12-425\_V2.0-ENU exam **questions have been updated** and **answers have been corrected** get the **newest** Actual4test.com H12-425\_V2.0-ENU dumps with Test Engine here: [https://www.actual4test.com/H12-425\\_V2.0-ENU\\_examcollection.html](https://www.actual4test.com/H12-425_V2.0-ENU_examcollection.html) (468 Q&As Dumps, **30%OFF** Special Discount: **Freepdfdumps**)

**NEW QUESTION: 47**

When Huawei air-cooled air conditioner is installed, the required time for maintaining positive pressure in the refrigerant pipeline is () hours.

- A. 36
- B. 8
- C. 12
- D. 24

Answer: ([SHOW ANSWER](#))

**NEW QUESTION: 48**

The domestic power supply system is 380v/50Hz.

- A. False
- B. True

Answer: ([SHOW ANSWER](#))

**NEW QUESTION: 49**

What is the input/output voltage range of the SmartLi BCU?

- A. 300480 V
- B. W00-544 V
- C. 300400 V
- D. 280415 V

Answer: A ([LEAVE A REPLY](#))

**NEW QUESTION: 50**

Fusion Module2000 is an outdoor prefabricated integrated data center solution.

- A. True
- B. False

Answer: ([SHOW ANSWER](#))

**NEW QUESTION: 51**

UPS2000-A-(1-3KVA) close the mains input switch and directly enter the bypass working state.

- A. TRUE
- B. FALSE

Answer: B ([LEAVE A REPLY](#))

**NEW QUESTION: 52**

The NETCol5000-A36W air conditioner has a light load initial function.

- A. False
- B. True

**Answer: A ([LEAVE A REPLY](#))**

**NEW QUESTION: 53**

What are the i3 features of FusionModule2000 V3.0 include? (Multiple choice)

- A. iCooling
- B. iPower
- C. iManager

**Answer: A,B,C ([LEAVE A REPLY](#))**

**NEW QUESTION: 54**

Depth of discharge DOD, indicating the percentage of the battery's rice discharge to the battery's rated capacity.

- A. True
- B. False

**Answer: A ([LEAVE A REPLY](#))**

**NEW QUESTION: 55**

Which of the following methods can be used to open the access control for the FusionModule2000 smart module?

- A. Fingerprint
- B. Facial recognition
- C. Password
- D. Card reader

**Answer: A ([LEAVE A REPLY](#))**

**NEW QUESTION: 56**

In the FusionModule2000, if a device port complies with the Modbus RTU protocol, which device is used to connect to smart ETH gateway?

- A. ETH converter
- B. Skylight actuator
- C. Access actuator
- D. AC actuator

**Answer: A ([LEAVE A REPLY](#))**

**NEW QUESTION: 57**

In the UPS5000 configuration, the power supply reliability level cannot be selected.

- A. True
- B. False

**Answer: B** ([LEAVE A REPLY](#))

**NEW QUESTION: 58**

Two UPS2000-Gs with different software versions can be connected in parallel.

- A. False
- B. True

**Answer:** ([SHOW ANSWER](#))

**NEW QUESTION: 59**

NetCol5000-c row-level chilled water intelligent temperature control product has a light-load dehumidification function, which can meet the reliable dehumidification under a minimum load of 10%, and avoid the hidden danger of condensation in a low-load and high-mix environment.

- A. True
- B. False

**Answer: A** ([LEAVE A REPLY](#))

**NEW QUESTION: 60**

The main reason for the thermal runaway of the battery and the increase of the internal pressure, which leads to the deformation and expansion of the appearance is ().

- A. More electrolyte
- B. Gas leakage
- C. Plate gasification
- D. Electrolyte leakage

**Answer: B** ([LEAVE A REPLY](#))

**NEW QUESTION: 61**

When the battery is discharged, the discharge voltage of a faulty battery drops rapidly, and the backup time of the entire battery rented in the morning is not enough, so it should be dealt with ().

- A. Scrap the entire battery pack
- B. No processing required
- C. to discharge
- D. Force equal charge, replace the faulty battery

**Answer: D** ([LEAVE A REPLY](#))

**Valid H12-425\_V2.0-ENU Dumps** shared by Actual4test.com for Helping Passing H12-425\_V2.0-ENU Exam! Actual4test.com now offer the **newest H12-425\_V2.0-ENU exam dumps**, the Actual4test.com H12-425\_V2.0-ENU exam **questions have been updated** and **answers have been corrected** get the **newest** Actual4test.com H12-425\_V2.0-ENU dumps

with Test Engine here: [https://www.actual4test.com/H12-425\\_V2.0-ENU\\_examcollection.html](https://www.actual4test.com/H12-425_V2.0-ENU_examcollection.html)

(468 Q&As Dumps, **30%OFF Special Discount: Freepdfdumps**)

**NEW QUESTION: 62**

In a project 32 NetCol8000-Cs need to be networked for teamwork. Each group consists of four air conditioners. How should the northbound RS485 grouping switches, namely, toggle switches 2 and 3 on the main control module, be set for the last air conditioner in each group?

- A. OFF, ON
- B. ON, OFF
- C. OFF, OFF
- D. ON, ON

Answer: [\(SHOW ANSWER\)](#)

**NEW QUESTION: 63**

The number of group controllers for Huawei NetCol series smart cooling products is ()

- A. 16
- B. 32
- C. 12
- D. 24

Answer: **B** ([LEAVE A REPLY](#))

**NEW QUESTION: 64**

In ECO mode, when the input is stable, the UPS works in () state.

- A. Bypass
- B. Maintenance Bypass
- C. Main circuit inverter
- D. battery

Answer: **A** ([LEAVE A REPLY](#))

**NEW QUESTION: 65**

UPS5000-E (25-125kVA) does not support the Battery function.

- A. True
- B. False

Answer: **B** ([LEAVE A REPLY](#))

**NEW QUESTION: 66**

What methods does Fusi onllodul e800 air conditioner configuration support?

- A. N
- B. N+1
- C. N/N+1

Answer: **C** ([LEAVE A REPLY](#))

**NEW QUESTION: 67**

FusionModule500 uses natural heat dissipation.

- A. True
- B. False

**Answer: A** ([LEAVE A REPLY](#))

**NEW QUESTION: 68**

Which of the following are the working modes of the runner natural cooling scheme? (Multiple choice)

- A. Hybrid Mode
- B. Direct ventilation mode
- C. Full compressor cooling mode
- D. Complete Free Cooling Mode

**Answer: A,C,D** ([LEAVE A REPLY](#))

**NEW QUESTION: 69**

What items need to be checked after the UPS5000-E system is installed? (Multiple choice)

- A. If the ground wire connection is reliable
- B. Whether the mechanical installation of UPS and battery system is firm
- C. Whether the cable layout considers other system wiring in the future
- D. The positive and negative connections of the battery are correct

**Answer:** ([SHOW ANSWER](#))

**NEW QUESTION: 70**

The default management authority user name of the ECC800 is admin, and admin has all the authority to operate the WEB interface functions.

- A. False
- B. True

**Answer: B** ([LEAVE A REPLY](#))

**NEW QUESTION: 71**

The straight pipe distance of NETCOL5000-C pipeline fixed title is ().

- A. 2500MM
- B. 3200MM
- C. 2600MM
- D. 3000MM

**Answer: A** ([LEAVE A REPLY](#))

**NEW QUESTION: 72**

Generally speaking, the air supply distance of the air duct is shorter than that of the hood air supply.

- A. TRUE
- B. FALSE

Answer: B ([LEAVE A REPLY](#))

**NEW QUESTION: 73**

The FusionModule2000 battery is listed in the scene, supporting up to () battery cabinets?

- A. 2
- B. 6
- C. 8
- D. 4

Answer: D ([LEAVE A REPLY](#))

**NEW QUESTION: 74**

The refrigerant cylinder of Huawei air-cooled air conditioner does not need to be placed upside down on the electronic scale when charging refrigerant.

- A. False
- B. True

Answer: ([SHOW ANSWER](#))

**NEW QUESTION: 75**

Which type of circuit breaker used in the sub-circuit of the PDU8000 precision power distribution cabinet?

- A. Miniature circuit breakers
- B. Frame circuit breaker
- C. Molded Case Circuit Breakers
- D. Disconnect switch

Answer: A ([LEAVE A REPLY](#))

**NEW QUESTION: 76**

Which of the following humidification forms has the lowest energy consumption?

- A. Wet film humidification
- B. Electrode humidification
- C. Infrared humidification

Answer: A ([LEAVE A REPLY](#))

**dumps**, the Actual4test.com H12-425\_V2.0-ENU exam **questions have been updated** and **answers have been corrected** get the **newest** Actual4test.com H12-425\_V2.0-ENU dumps with Test Engine here: [https://www.actual4test.com/H12-425\\_V2.0-ENU\\_examcollection.html](https://www.actual4test.com/H12-425_V2.0-ENU_examcollection.html) (468 Q&As Dumps, **30%OFF Special Discount: Freepdfdumps**)

**NEW QUESTION: 77**

What core differentiated features of FusionModule800 can shield opponents? (Multiple choice)

- A. Integrated design of cold and electric control
- B. Air conditioner dehumidification with light load
- C. Rack-mounted inverter air conditioner
- D. ibattery

**Answer: A,B,C,D ([LEAVE A REPLY](#))**

**NEW QUESTION: 78**

When the UPS5000-E is equipped with IP21 components, the top air components can also be installed at the same time.

- A. True
- B. False

**Answer: B ([LEAVE A REPLY](#))**

**NEW QUESTION: 79**

If the customer's load cannot be powered off, what should be paid attention when closing the maintenance bypass switch? (Multiple choice)

- A. Close the maintenance switch first and then execute the EPO
- B. Execute EPO before closing the maintenance switch
- C. The maintenance bypass switch can also be closed in inverter power supply mode
- D. Turn off the inverter, put the UPS in bypass mode and then close the wake bypass switch

**Answer: A,D ([LEAVE A REPLY](#))**

**NEW QUESTION: 80**

What are the main reasons for the energy saving effect of closed cold/hot aisle? (Multiple choice)

- A. By increasing the supply air temperature, the amount of humidification is reduced, thereby reducing the power consumption of humidification
- B. The closed hot aisle can increase the return air temperature and improve the cooling efficiency
- C. It can increase the supply air temperature of the air conditioner, thereby reducing the energy consumption of the air conditioner
- D. Isolate the cold air, avoid the confusion of the hot air, and improve the utilization rate of the air

**Answer: A,B,C,D ([LEAVE A REPLY](#))**

**NEW QUESTION: 81**

UPS5000-E (25-125kVA) does not support the Battery function.

A. False

B. True

Answer: A ([LEAVE A REPLY](#))

**NEW QUESTION: 82**

When the indoor unit is installed higher than the outdoor unit, an oil trap must be installed.

A. False

B. True

Answer: A ([LEAVE A REPLY](#))

**NEW QUESTION: 83**

What is the channel width of Huawei FusionModule2000?

A. 1100mm

B. 1300mm

C. 1000mm

D. 1200mm

Answer: D ([LEAVE A REPLY](#))

**NEW QUESTION: 84**

On the NETECO interface, a module can only bind ( ) ECC800 devices.

A. 3

B. 4

C. 1

D. 2

Answer: C ([LEAVE A REPLY](#))

**NEW QUESTION: 85**

The host should be set to ( ) when the UPS5000 series multi-rack network is paralleled.

A. Many-to-One

B. One-to-many

C. One-to-one

D. No setup required

Answer: ([SHOW ANSWER](#))

**NEW QUESTION: 86**

The form of humidifier adopted by the row-level chilled water intelligent temperature control product NetCol5000-C032H is ( ). (Fill in the blank)

A. Wet film

Answer: A ([LEAVE A REPLY](#))

**NEW QUESTION: 87**

The humidifier used by NETCOL8000-A is ( ).

- A. High pressure mist humidifier
- B. Electrode humidifier
- C. Infrared humidifier
- D. Wet film humidifier

**Answer: C** ([LEAVE A REPLY](#))

**NEW QUESTION: 88**

UPS2000-A-(1-3KVA) close the mains input switch and directly enter the bypass working state.

- A. FALSE
- B. TRUE

**Answer: A** ([LEAVE A REPLY](#))

**NEW QUESTION: 89**

When a fire breaks out in the box and the fire extinguishing device releases the fire extinguishing agent into the protection area, ( ) will display the words "In The Vent, Do Not Enter".

- A. Emergency Lights
- B. Fire alarm
- C. Deflation indicator light
- D. Sound and light alarm

**Answer: C** ([LEAVE A REPLY](#))

**NEW QUESTION: 90**

Which of the following functions belong to the FusionModule2000 controller (ECC800)? (Multiple choice)

- A. Alarm system linkage
- B. Alarm Management
- C. Access Management

**Answer: A,B,C** ([LEAVE A REPLY](#))

**NEW QUESTION: 91**

With IT load of 80kW, a UPS system of 80kVA can meet the basic needs.

- A. True
- B. False

**Answer: B** ([LEAVE A REPLY](#))

**Valid H12-425\_V2.0-ENU Dumps** shared by Actual4test.com for Helping Passing H12-425\_V2.0-ENU Exam! Actual4test.com now offer the **newest H12-425\_V2.0-ENU exam dumps**, the Actual4test.com H12-425\_V2.0-ENU exam **questions have been updated** and

**answers have been corrected** get the **newest** Actual4test.com H12-425\_V2.0-ENU dumps with Test Engine here: [https://www.actual4test.com/H12-425\\_V2.0-ENU\\_examcollection.html](https://www.actual4test.com/H12-425_V2.0-ENU_examcollection.html) (468 Q&As Dumps, **30%OFF Special Discount: Freepdfdumps**)

**NEW QUESTION: 92**

The damage of NETCOL5000-C thermal insulation cotton may cause:

- A. Pipeline condensation
- B. The fan noise is too loud
- C. The drainage capacity of the equipment is significantly reduced
- D. The fan is blocked

**Answer: A ([LEAVE A REPLY](#))**

**NEW QUESTION: 93**

FusionModule solution can use ECC800 to achieve local monitoring, and use NetEco management system to achieve centralized monitoring of multiple micro-modules.

Then, in the project bidding quotation, which product is the configuration quotation of the ECC800 collector in?

- A. FusionModule Solution
- B. UPS products
- C. None of the above is true
- D. NetEco Management System

**Answer: ([SHOW ANSWER](#))**

**NEW QUESTION: 94**

After installing the top-out fan on the UPS5000, you need to set the top-out fan status in the menu to not allow, otherwise, the top-out fan assembly will not work properly.

- A. True
- B. False

**Answer: ([SHOW ANSWER](#))**

**NEW QUESTION: 95**

UPS5000-A has built-in SNMP and ModBus card to reduce the management investment cost of customers.

- A. True
- B. False

**Answer: A ([LEAVE A REPLY](#))**

**NEW QUESTION: 96**

What is the possible cause of the high discharge temperature of the NETCOL5000-A air conditioner compressor? (Multiple choice)

- A. Refrigerant circuit or device blockage

- B. Too little refrigerant charge
- C. The condenser is dirty and blocked, resulting in poor heat dissipation
- D. The installation position of the outdoor unit is wrong

**Answer:** ([SHOW ANSWER](#))

**NEW QUESTION: 97**

If a project needs a management system to monitor the PUE value of the room, what function does NetEco need to quote separately?

- A. Energy Efficiency Management
- B. No separate quotation is required
- C. Capacity Management
- D. Mobile APP

**Answer:** A ([LEAVE A REPLY](#))

**NEW QUESTION: 98**

FusionModule800 can only support down pipe.

- A. True
- B. False

**Answer:** B ([LEAVE A REPLY](#))

**NEW QUESTION: 99**

UPS5000-S has the function of adjusting the number of battery cells, which avoids the replacement of the whole group caused by the failure of a single battery, and solves the problem of difficult maintenance of traditional UPS batteries. UPS5000-s supports 30-46 battery adjustable.

- A. True
- B. False

**Answer:** A ([LEAVE A REPLY](#))

**NEW QUESTION: 100**

The reason why the fan does not turn when the NETCOL5000C device is turned on may be ().

- A. The power supply module is faulty or abnormal
- B. Poor drainage of condensate
- C. The filter is dirty and blocked
- D. Failure of strong drainage system

**Answer:** A ([LEAVE A REPLY](#))

**NEW QUESTION: 101**

The external maintenance bypass of the UPS system generally uses a circuit breaker with ( ) pole.

- A. 4

- B. 3
- C. 2
- D. 1

**Answer:** ([SHOW ANSWER](#))

**NEW QUESTION: 102**

NETECO cannot perform centralized and unified management of data center infrastructure in multiple regions.

- A. True
- B. False

**Answer:** ([SHOW ANSWER](#))

**NEW QUESTION: 103**

As the altitude increases, the air density decreases, and the heat exchange capability of the air in a unit volume decreases. In this case, NetCol8000-E220 works with derating.

- A. False
- B. True

**Answer:** B ([LEAVE A REPLY](#))

**NEW QUESTION: 104**

The humidifier used by NETCOL8000-A is ().

- A. High pressure mist humidifier
- B. Wet film humidifier
- C. Electrode humidifier
- D. Infrared humidifier

**Answer:** D ([LEAVE A REPLY](#))

**NEW QUESTION: 105**

The skylight actuator can control the reversing skylight of the closed channel of the modular data center.

- A. TRUE
- B. FALSE

**Answer:** A ([LEAVE A REPLY](#))

**NEW QUESTION: 106**

FusionModule2000 UPS is listed and configured?

- A. Integrated power distribution cabinet
- B. Precision power distribution cabinet
- C. Integrated UPS cabinet

**Answer:** ([SHOW ANSWER](#))

**Valid H12-425\_V2.0-ENU Dumps** shared by Actual4test.com for Helping Passing H12-425\_V2.0-ENU Exam! Actual4test.com now offer the **newest H12-425\_V2.0-ENU exam dumps**, the Actual4test.com H12-425\_V2.0-ENU exam **questions have been updated** and **answers have been corrected** get the **newest** Actual4test.com H12-425\_V2.0-ENU dumps with Test Engine here: [https://www.actual4test.com/H12-425\\_V2.0-ENU\\_examcollection.html](https://www.actual4test.com/H12-425_V2.0-ENU_examcollection.html) (468 Q&As Dumps, **30%OFF Special Discount: Freepdfdumps**)

**NEW QUESTION: 107**

What security mechanisms does NetEco6000 management system use to ensure network security and prevent the leakage of business sensitive data? (Multiple choice)

- A. None of the above is true
- B. Permission Control
- C. Storage Security
- D. Transmission Security

**Answer: B,C,D (LEAVE A REPLY)**

**NEW QUESTION: 108**

When configuring the battery, do not consider the brand of the battery, as long as the capacity is the same, it can meet customer requirements.

- A. False
- B. True

**Answer: A (LEAVE A REPLY)**

**NEW QUESTION: 109**

When the Huawei air-cooled air-conditioning compressor is turned on for the first time, the crankcase heating belt needs to be preheated for more than ( ) hours.

- A. 2
- B. 6
- C. 12
- D. 24

**Answer: C (LEAVE A REPLY)**

**NEW QUESTION: 110**

The multi-function sensor in the modular channel of Fusion Module2000 can be connected to the ( ) component.

- A. Access Control Actuator
- B. Cabinet collector
- C. Only ETH socket
- D. WIFI converter

**Answer: ([SHOW ANSWER](#))**

**NEW QUESTION: 111**

Which of the following alarm functions does the PDU8000 precision power distribution cabinet branch circuit have? (Multiple choice)

- A. High current impact alarm
- B. Over voltage alarm
- C. Over frequency alarm
- D. Current high threshold crossing alarm
- E. Branch overload

**Answer: ([SHOW ANSWER](#))**

**NEW QUESTION: 112**

Which of the following measures does the NetEco management system take to ensure the security of the software platform and prevent the leakage of business sensitive data? (Multiple choice)

- A. The transmission channel between the management system and the collector adopts encrypted transmission mode
- B. The management system passes the security scan of anti-virus software
- C. User password is encrypted
- D. Security reinforcement and vulnerability prevention for operating systems, databases, and management systems

**Answer: ([SHOW ANSWER](#))**

**NEW QUESTION: 113**

The power supply structure adopted by the new line-level half-cabinet chilled water is:

- A. Dual power supply
- B. Both A and B are right
- C. Single power supply
- D. Other

**Answer: ([SHOW ANSWER](#))**

**NEW QUESTION: 114**

When the device interface uses the MODBUS-RTU protocol, ( ) needs to be installed when connecting to the ECC800.

- A. ETH Converter
- B. AC Actuator
- C. Access Control Actuator
- D. Sunroof Actuator

**Answer: A ([LEAVE A REPLY](#))**

**NEW QUESTION: 115**

When the ECC800 detects that the connection signal to the device is interrupted, it will generate a communication interruption alarm. What are the possible reasons? (Multiple choice)

- A. The power supply is abnormal
- B. Equipment failure
- C. Poor cable contact
- D. Loose cable connection

**Answer: A,B,C,D ([LEAVE A REPLY](#))**

**NEW QUESTION: 116**

Which of the following statements is true about the rPDU of the FusionModule2000? (Multiple Choice)

- A. Smart rPDU supports remote monitoring, but does not support remote shutdown
- B. There are half height and full height
- C. Has standard industrial connectors
- D. Support C16 and C19 GB sockets

**Answer: B,C ([LEAVE A REPLY](#))**

**NEW QUESTION: 117**

APM, NR and other UPS products need to be derated at 30 degrees, and UPS5000-E does not need to be below 40 degrees.

- A. True
- B. False

**Answer: A ([LEAVE A REPLY](#))**

**NEW QUESTION: 118**

The similar models of Eaton and UPS5000-A 30kVA120kVA are ().

- A. 9395
- B. NXR
- C. 9390

**Answer: C ([LEAVE A REPLY](#))**

**NEW QUESTION: 119**

Which of the following statements about the functions of the AC PDB is false?

- A. Supplies power to fans.
- B. Supplies power to air conditioners.
- C. Supplies power to the extinguishant control panel.
- D. Supplies power to sockets in the modules.

**Answer: ([SHOW ANSWER](#))**

**NEW QUESTION: 120**

The PDU8000 precision power distribution cabinet supports the monitoring of branch circuit phase current, active power, electric energy and branch circuit switch status.

- A. False
- B. True

**Answer: A** ([LEAVE A REPLY](#))

#### **NEW QUESTION: 121**

What is the minimum outdoor ambient temperature that the FusionModule800 air conditioner can support?

- A. 0 °C
- B. -20 °C
- C. -40 °C

**Answer: C** ([LEAVE A REPLY](#))

**Valid H12-425\_V2.0-ENU Dumps** shared by Actual4test.com for Helping Passing H12-425\_V2.0-ENU Exam! Actual4test.com now offer the **newest H12-425\_V2.0-ENU exam dumps**, the Actual4test.com H12-425\_V2.0-ENU exam **questions have been updated** and **answers have been corrected** get the **newest** Actual4test.com H12-425\_V2.0-ENU dumps with Test Engine here: [https://www.actual4test.com/H12-425\\_V2.0-ENU\\_examcollection.html](https://www.actual4test.com/H12-425_V2.0-ENU_examcollection.html) (468 Q&As Dumps, **30%OFF Special Discount: Freepdfdumps**)

#### **NEW QUESTION: 122**

If the UPS5000-400K cuts the bypass and closes the maintenance side station, both the main power module and the bypass module stop working.

- A. TRUE
- B. FALSE

**Answer: B** ([LEAVE A REPLY](#))

#### **NEW QUESTION: 123**

When a fire occurs in the box, ( ) is used to start the gas fire extinguishing device in an emergency.

- A. Pressure switch
- B. Solenoid valve
- C. Emergency stop button/manual deflation button
- D. Fire Cylinders

**Answer: C** ([LEAVE A REPLY](#))

#### **NEW QUESTION: 124**

UPS5000-E can press the battery cold start button on the module to start the inverter without the main bypass input, and the system will automatically enter the battery inverter mode.

A. FALSE

B. TRUE

Answer: B ([LEAVE A REPLY](#))

#### NEW QUESTION: 125

What is the maximum power of the IT cabinet of FusionModule500 & FusionModule800?

A. 5KVA

B. 9KVA

C. 7KVA

D. 3KVA

Answer: C ([LEAVE A REPLY](#))

#### NEW QUESTION: 126

Which of the following statements is true about the rPDU of the FusionModule2000? (Multiple Choice)

A. Support C16 and C19 GB sockets

B. Has standard industrial connectors

C. Smart rPDU supports remote monitoring, but does not support remote shutdown

D. There are half height and full height

Answer: ([SHOW ANSWER](#))

#### NEW QUESTION: 127

When the UPS5000-E works in normal mode, in which condition will the UPS automatically transfer to bypass mode?

A. Mains outage occurs.

B. The power module is overloaded for a period longer than the specified time.

C. Power module overtemperature occurs.

D. Bypass module hardware is faulty.

Answer: B ([LEAVE A REPLY](#))

#### NEW QUESTION: 128

UPS5000-E has a wide voltage and frequency input range, which can be applied to harsh grid environment and prolong battery life. What is the input voltage range of UPS5000-E with full load?

A. 305-485V

B. 105-485V

C. 138-485V

Answer: A ([LEAVE A REPLY](#))

**NEW QUESTION: 129**

In large-scale data centers such as financial securities centers and telecom hubs. UPSs with a capacity of 200 kVA or higher are usually used. For UPS5000-E-200k, 12 V battery packs are usually configured as backup power instead of battery racks.

- A. False
- B. True

**Answer: A** ([LEAVE A REPLY](#))

**NEW QUESTION: 130**

The power indicator light of the gas fire extinguishing controller is on, and the alarm indicator light is off, indicating that the gas fire extinguishing controller is working normally.

- A. TRUE
- B. FALSE

**Answer: A** ([LEAVE A REPLY](#))

**NEW QUESTION: 131**

What are the fire-fighting linkage functions of FusionModule2000? (Multiple choice)

- A. Channel light on
- B. Air conditioner off
- C. Channel gate magnetic power down
- D. Sunroof Flip

**Answer: A,B,C,D** ([LEAVE A REPLY](#))

**NEW QUESTION: 132**

What are the possible reason of the excessive noise of the NETCOL5000-C fan? (Multiple choice)

- A. Fan failure
- B. The filter is dirty and blocked
- C. Loose fan installation
- D. The air outlet of the fan is dirty and blocked

**Answer: A,B,C,D** ([LEAVE A REPLY](#))

**NEW QUESTION: 133**

Which of the following air supply methods must have a reasonable raised floor height?

- A. Underfloor air supply
- B. Row-level horizontal air supply
- C. Upper air duct supply
- D. Air supply from the upper hood

**Answer: A** ([LEAVE A REPLY](#))

**NEW QUESTION: 134**

In ECO mode, when the input is stable, the UPS works in ( ) state.

- A. Maintenance Bypass
- B. Bypass
- C. battery
- D. Main circuit inverter

**Answer: B (LEAVE A REPLY)**

**NEW QUESTION: 135**

Which of the following are indoor products of Huawei data center solutions? (Multiple choice)

- A. FusionModule1000A
- B. FusionModule500
- C. FusionModule1000B
- D. FusionModule800
- E. FusionModule2000

**Answer: B,D,E (LEAVE A REPLY)**

**NEW QUESTION: 136**

( ) marks the fully charged battery, and discharge it to the specified termination power according to certain discharge conditions.

- A. Minimum Capacity
- B. Rated capacity
- C. Actual capacity
- D. Maximum capacity

**Answer: C (LEAVE A REPLY)**

**Valid H12-425\_V2.0-ENU Dumps** shared by Actual4test.com for Helping Passing H12-425\_V2.0-ENU Exam! Actual4test.com now offer the **newest H12-425\_V2.0-ENU exam dumps**, the Actual4test.com H12-425\_V2.0-ENU exam **questions have been updated** and **answers have been corrected** get the **newest** Actual4test.com H12-425\_V2.0-ENU dumps with Test Engine here: [https://www.actual4test.com/H12-425\\_V2.0-ENU\\_examcollection.html](https://www.actual4test.com/H12-425_V2.0-ENU_examcollection.html) (468 Q&As Dumps, **30%OFF Special Discount: Freepdfdumps**)

**NEW QUESTION: 137**

One NetCol520 chilled water distribution units can maximum support ( ) NETCOL5000-C water-cooled row-level precision air conditioners.

- A. 10
- B. 12
- C. 8
- D. 6

**Answer: B ([LEAVE A REPLY](#))**

**NEW QUESTION: 138**

When the ECC800 detects that the connection signal to the device is interrupted, it will generate a communication interruption alarm. What are the possible reasons? (Multiple choice)

- A. Equipment failure
- B. Poor cable contact
- C. Loose cable connection
- D. The power supply is abnormal

**Answer: A,B,C,D ([LEAVE A REPLY](#))**

**NEW QUESTION: 139**

Which of the following statements about UPS5000-E are correct? (Multiple choice)

- A. High Power Density Design
- B. Pre-maintenance is not supported
- C. The output power factor can reach 1
- D. Modules are easy to expand

**Answer: A,C,D ([LEAVE A REPLY](#))**

**NEW QUESTION: 140**

When the distance between the outdoor unit and the sea is 0.5km~3.7km, you need to configure ( ) the outdoor unit. (Fill in the blank)

- A. Class C

**Answer: A ([LEAVE A REPLY](#))**

**NEW QUESTION: 141**

A system is configured with 15min battery backup time, and the discharge termination voltage of the battery cell should select?

- A. 1.67V
- B. 1.80V
- C. 1.75V
- D. 1.60V

**Answer: C ([LEAVE A REPLY](#))**

**NEW QUESTION: 142**

Which of the FusionModule800 needs on-site construction survey? (Multiple choice)

- A. Wiring method
- B. The way of the pipe
- C. Length between inside and outside machine
- D. Mains to Module Cable Length

**Answer: A,B,C,D ([LEAVE A REPLY](#))**

**NEW QUESTION: 143**

All fire-fighting cables running in the FusionModule1000 are covered with metal hoses, and the ends of the pipes are protected by wire sleeves to avoid damage to the fire-fighting cables in the event of a fire.

- A. True
- B. False

**Answer: A** ([LEAVE A REPLY](#))

**NEW QUESTION: 144**

Which of the following functions does PDU8000 precision power distribution cabinet mainly have?  
(Multiple choice)

- A. Abnormal alarm function of main circuit and sub-circuit of precision power distribution cabinet
- B. The precision power distribution cabinet supports SNMP and MODBUS communication, which can transmit information to the intelligent monitoring system.
- C. Power distribution function of data center micro-module (cabinet)
- D. Main circuit and sub-circuit metering function of precision power distribution cabinet
- E. Protection function of the lower line and equipment of the precision power distribution cabinet

**Answer: A,B,C,D,E** ([LEAVE A REPLY](#))

**NEW QUESTION: 145**

When the power density of a single cabinet is greater than 10kl/R, which cooling method is recommended?

- A. Row-level air-conditioning horizontal air supply airtight channel.
- B. Room-level air conditioning
- C. Downstream air from room-level air conditioners
- D. Unsealed channel for horizontal air supply of row-level air conditioner

**Answer: (**[SHOW ANSWER](#)**)**

**NEW QUESTION: 146**

There is no limit to the total length of the refrigerant piping of the direct expansion air-cooled air conditioner.

- A. False
- B. True

**Answer: (**[SHOW ANSWER](#)**)**

**NEW QUESTION: 147**

UPS2000-G- (6-20KVA) battery is not connected, which does not affect the normal power supply of the system.

- A. False
- B. True

**Answer: B ([LEAVE A REPLY](#))**

**NEW QUESTION: 148**

The two ECMs of the UPS5000-E do not support active/standby switchover.

- A. True
- B. False

**Answer: ([SHOW ANSWER](#))**

**NEW QUESTION: 149**

The ECC800 does not support SMS notification of alarms and cannot realize remote maintenance.

- A. False
- B. True

**Answer: ([SHOW ANSWER](#))**

**NEW QUESTION: 150**

The total current of the battery pack is 1000A, and 3 sets of batteries are configured. The most economical configuration of the cable from the UPS to the main switch box is?

- A. 120mm<sup>2</sup> (382A) ×3
- B. 240mm<sup>2</sup> (599A) ×3
- C. 185mm<sup>2</sup> (506A) × 3
- D. 150mm<sup>2</sup> (441A) ×3

**Answer: D ([LEAVE A REPLY](#))**

**NEW QUESTION: 151**

Which of the following descriptions of the iPower function of the intelligent micro-module of FusionModule2000 v3.0 are correct? (Multiple choice)

- A. Power Distribution Link Visualization
- B. With alarm convergence function (mains power failure scenario, alarm information collection)
- C. Intelligent rPDU can monitor the power consumption information of each socket
- D. Can monitor battery information

**Answer: ([SHOW ANSWER](#))**

**Valid H12-425\_V2.0-ENU Dumps** shared by Actual4test.com for Helping Passing H12-425\_V2.0-ENU Exam! Actual4test.com now offer the **newest H12-425\_V2.0-ENU exam dumps**, the Actual4test.com H12-425\_V2.0-ENU exam **questions have been updated** and **answers have been corrected** get the **newest** Actual4test.com H12-425\_V2.0-ENU dumps

with Test Engine here: [https://www.actual4test.com/H12-425\\_V2.0-ENU\\_examcollection.html](https://www.actual4test.com/H12-425_V2.0-ENU_examcollection.html)

(468 Q&As Dumps, **30%OFF** Special Discount: **Freepdfdumps**)

**NEW QUESTION: 152**

What specifications does the FusionModule500 UPS have? (Multiple choice)

- A. 3KVA
- B. 10KVA
- C. 6KVA
- D. 15KVA

**Answer: A,B,C ([LEAVE A REPLY](#))**

**NEW QUESTION: 153**

Which of the following actions may be triggered after the high liquid level float of a Huawei chilled water precision air conditioner floats longer than the specified duration?

- A. One water pump shuts down.
- B. One water pump starts.
- C. A drainage exception alarm is generated.
- D. The air conditioner shuts down.

**Answer: ([SHOW ANSWER](#))**

**NEW QUESTION: 154**

In the air-conditioning system, one of the pipe positive pressure and the pipe negative pressure can be selected.

- A. True
- B. False

**Answer: ([SHOW ANSWER](#))**

**NEW QUESTION: 155**

The UPS2000-G-(6-20KVA) does not report a fault but the load is powered off, which may be caused by the poor connection of the output cable.

- A. False
- B. True

**Answer: B ([LEAVE A REPLY](#))**

**NEW QUESTION: 156**

When a user uses the NETECC APP on the PAD to query the PUE information in the current computer room, he needs to click the () menu.

- A. Monitoring
- B. more
- C. Alert
- D. Energy consumption

**Answer:** ([SHOW ANSWER](#))

**NEW QUESTION: 157**

Which of the following are the basic functions of NETECO? (Multiple choice)

- A. Report Management
- B. User Management
- C. Access Management
- D. Video Management

**Answer:** A,B,C,D ([LEAVE A REPLY](#))

**NEW QUESTION: 158**

Suppose a certain battery specification stipulates that the discharge power is 400W@1.67V@15min. If the system demand is 1400W, the number of battery packs to be selected is ().

- A. 5 groups
- B. 4 groups
- C. 3 groups

**Answer:** C ([LEAVE A REPLY](#))

**NEW QUESTION: 159**

Which of the following is a standard component in the FusionModule800 typical configuration?

- A. PAD
- B. iBattery
- C. Intelligent lock
- D. Video surveillance system

**Answer:** A ([LEAVE A REPLY](#))

**NEW QUESTION: 160**

The total current of the battery pack is 1000A, and 3 sets of batteries are configured. The most economical configuration of the cable from the UPS to the main switch box is?

- A. 240mm<sup>2</sup> (599A) x3
- B. 120mm<sup>2</sup> (382A) x3
- C. 150mm<sup>2</sup> (441A) x3
- D. 185mm<sup>2</sup> (506A) x3

**Answer:** ([SHOW ANSWER](#))

**NEW QUESTION: 161**

The UPS5000-E power chess block adopts a fan fault-tolerant design. When two of the fans are damaged, what percentage of the power module can still be loaded?

- A. 0.3
- B. 0.2

C. 0.6

D. 0.5

**Answer: D ([LEAVE A REPLY](#))**

**NEW QUESTION: 162**

When the outdoor units of Huawei air-cooled air conditioners are installed horizontally, the distance between the two outdoor units is  $\geq$  ( ) MM.

A. 400

B. 800

C. 2000

D. 1200

**Answer: D ([LEAVE A REPLY](#))**

**NEW QUESTION: 163**

Which of the following alarm functions does the main circuit of the PDU800 power distribution cabinet have? (Multiple choice)

A. Current high reading value out-of-limit alarm

B. Overvoltage alarm

C. Undervoltage alarm

D. The main circuit is powered off

E. Abnormal frequency

**Answer: A,B,C,D,E ([LEAVE A REPLY](#))**

**NEW QUESTION: 164**

When calculating the battery capacity, the battery discharge capacity system at different backup time is the same.

A. True

B. False

**Answer: B ([LEAVE A REPLY](#))**

**NEW QUESTION: 165**

Traditional UPS. The number of battery cells is not adjustable, the maintenance cost of the battery is high, and the damage of one battery may lead to the replacement of the entire battery pack. The number of battery cells of UPS5000-A is adjustable, then the adjustable range is?

A. 30-40

B. 36-40

C. 32-40

D. 34-40

**Answer: A ([LEAVE A REPLY](#))**

**NEW QUESTION: 166**

What is the maximum power of the IT cabinet of FusionModule500 & FusionModule800?

- A. 5KVA
- B. 9KVA
- C. 7KVA
- D. 3KVA

Answer: ([SHOW ANSWER](#))

**Valid H12-425\_V2.0-ENU Dumps** shared by Actual4test.com for Helping Passing H12-425\_V2.0-ENU Exam! Actual4test.com now offer the **newest H12-425\_V2.0-ENU exam dumps**, the Actual4test.com H12-425\_V2.0-ENU exam **questions have been updated** and **answers have been corrected** get the **newest** Actual4test.com H12-425\_V2.0-ENU dumps with Test Engine here: [https://www.actual4test.com/H12-425\\_V2.0-ENU\\_examcollection.html](https://www.actual4test.com/H12-425_V2.0-ENU_examcollection.html) (468 Q&As Dumps, **30%OFF Special Discount: Freepdfdumps**)

**NEW QUESTION: 167**

Which of the following air supply methods must have a reasonable raised floor height?

- A. Air supply from the upper hood
- B. Underfloor air supply
- C. Upper air duct supply
- D. Row-level horizontal air supply

Answer: B ([LEAVE A REPLY](#))

**NEW QUESTION: 168**

Regarding the cabinet rPDU of FusionModule2000, which of the following statements is false?

- A. There are half height and full height
- B. Support C13 and C19 and national standard sockets
- C. Smart rPDU supports remote monitoring, but does not support remote shutdown

Answer: A ([LEAVE A REPLY](#))

**NEW QUESTION: 169**

When the NetCol5000-A compressor runs for a long time with low superheat or no superheat, it is prone to "liquid shock" and damage.

- A. False
- B. True

Answer: B ([LEAVE A REPLY](#))

**NEW QUESTION: 170**

What is the reasonable exhaust pressure range for NETCOL5000-A in MPA? (Multiple choice)

- A. 3.1-4.15 (above 45 °)

- B. 1.5-3.1 (15-35 ° )
- C. 2.5-3.8 (35-45 ° )
- D. 1.5-2.5 (below 15 ° )

**Answer: A,B,C,D ([LEAVE A REPLY](#))**

**NEW QUESTION: 171**

Which of the typical configurations of FusionModule800 are standard?

- A. Smoke sensor, temperature and humidity, pad, SMS alarm, mobile APP, automatic pop-up door
- B. Smoke sensor, door sensor, pad, water immersion, simple wiring trough, video
- C. Temperature and humidity, door sensor, pad, water flood, video, mobile APP

**Answer: A ([LEAVE A REPLY](#))**

**NEW QUESTION: 172**

The EPO status interface of UPS5000-E can choose open or normally closed interface according to actual use.

- A. TRUE
- B. FALSE

**Answer: A ([LEAVE A REPLY](#))**

**NEW QUESTION: 173**

What core differentiated features of FusionModule800 can shield opponents? (Multiple choice)

- A. ibattery
- B. Air conditioner dehumidification with light load
- C. Integrated design of cold and electric control
- D. Rack-mounted inverter air conditioner

**Answer: A,B,C,D ([LEAVE A REPLY](#))**

**NEW QUESTION: 174**

The location of the data center needs to be evaluated ( ) factors. (Multiple choice)

- A. Cost Factors
- B. Ancillary facilities
- C. Building structure
- D. Physical and Geographical Conditions

**Answer: A,B,C,D ([LEAVE A REPLY](#))**

**NEW QUESTION: 175**

The relevant standards stipulate that the voltage drop of the AC cable needs to be controlled within 3%. It is recommended that the voltage drop of the AC cable be controlled within ( ) when designing the UPS system.

- A. 0.05

- B. 0.03
- C. 0.02
- D. 0.01

**Answer: D ([LEAVE A REPLY](#))**

**NEW QUESTION: 176**

Access to the ECC800 by wireless networking is not supported during the trial period of access control.

- A. FALSE
- B. TRUE

**Answer: A ([LEAVE A REPLY](#))**

**NEW QUESTION: 177**

Which of the following description of UPS5000-A is correct? (Multiple choice)

- A. Modular
- B. Double Transform Online
- C. Tower
- D. High frequency
- E. Power frequency
- F. Backup UPS

**Answer: B,C,D ([LEAVE A REPLY](#))**

**NEW QUESTION: 178**

The intelligent busway can replace the precision configuration cabinet and increase the number of cabinets in the IT cabinet.

- A. True
- B. False

**Answer: A ([LEAVE A REPLY](#))**

**NEW QUESTION: 179**

The ECC800 is the core component of local management of the micro-module, and the access of its southbound components can be extended through the POE bus.

- A. True
- B. False

**Answer: A ([LEAVE A REPLY](#))**

**NEW QUESTION: 180**

The anti-seismic components of UPS5000 are suitable for earthquake-prone areas, and can effectively support cabinets and prevent cabinets from tipping when earthquakes with intensity 9 or below occur.

- A. True

B. False

Answer: A ([LEAVE A REPLY](#))

**NEW QUESTION: 181**

The UPS5000-E (25-75kVA) bypass module has a maximum output power of 128kW.

A. False

B. True

Answer: B ([LEAVE A REPLY](#))

**Valid H12-425\_V2.0-ENU Dumps** shared by Actual4test.com for Helping Passing H12-425\_V2.0-ENU Exam! Actual4test.com now offer the **newest H12-425\_V2.0-ENU exam dumps**, the Actual4test.com H12-425\_V2.0-ENU exam **questions have been updated** and **answers have been corrected** get the **newest** Actual4test.com H12-425\_V2.0-ENU dumps with Test Engine here: [https://www.actual4test.com/H12-425\\_V2.0-ENU\\_examcollection.html](https://www.actual4test.com/H12-425_V2.0-ENU_examcollection.html) (**468 Q&As Dumps, 30%OFF Special Discount: Freepdfdumps**)

**NEW QUESTION: 182**

What factors are currently affecting the application of HVDC equipment in the computer room?  
(Multiple choice)

A. The standard is not perfect, and multiple standards of 240V/336V coexist

B. Higher cost of DC switching devices

C. The efficiency is too low

D. Not all loads can be directly powered by DC

Answer: ([SHOW ANSWER](#))

**NEW QUESTION: 183**

Which of the following voltage systems does the UPS5000-E support? (Multiple choice)

A. 415V

B. 480V

C. 380V

D. 400v

Answer: A,B,C,D ([LEAVE A REPLY](#))

**NEW QUESTION: 184**

The function of the back-feed protection card is that when the energy back-feed occurs in the main circuit or the bypass, the back-feed protection card sends a drive alarm signal, and the drive trip switch (configured by the customer) is disconnected, which plays the role of back-feed protection.

A. True

B. False

Answer: A ([LEAVE A REPLY](#))

**NEW QUESTION: 185**

What are the optional functions in PDU8000? (Multiple choice)

- A. Temperature Monitoring Feature Function
- B. Branch switch hot swap function
- C. 9 earthquake resistance
- D. Input switch remote tripping function

Answer: A,B,C,D ([LEAVE A REPLY](#))

**NEW QUESTION: 186**

When NETCOL5000-C is debugging the drainage equipment, lift the float by hand for 5 seconds. In this case, the dual water pumps are turned on at the same time, and an abnormal drainage alarm will appear.

- A. FALSE
- B. TRUE

Answer: B ([LEAVE A REPLY](#))

**NEW QUESTION: 187**

Which of the following options belongs to the natural cooling system?

- A. Direct Ventilation Air Conditioning System
- B. Water-cooled air-conditioning series
- C. Water-cooled cold water air series
- D. Air-cooled upright is an air-conditioning system

Answer: A ([LEAVE A REPLY](#))

**NEW QUESTION: 188**

The row-level air conditioners (25kw and 42kw) of Huawei FusionModule2000 v3.0 have the refrigerant detection function.

- A. False
- B. True

Answer: B ([LEAVE A REPLY](#))

**NEW QUESTION: 189**

Which of the characteristics of UPS5000-A regarding intelligence are correct? (Multiple choice)

- A. Support NetEco monitoring software, support centralized monitoring of UPS
- B. The NetEco monitoring software of UPS5000-A supports SMS or E-mail remote alarm
- C. Support battery intelligent management, effectively prolong battery life

Answer: A,B,C ([LEAVE A REPLY](#))

**NEW QUESTION: 190**

ECC800 does not support historical data export.

- A. True
- B. False

**Answer: B ([LEAVE A REPLY](#))**

**NEW QUESTION: 191**

A NetCol5000-A compressor cannot run, what are the possible reasons? (Multiple choice)

- A. Damaged compressor motor
- B. Compressor circuit breaker open
- C. Indoor fan failure
- D. High voltage switch action

**Answer: ([SHOW ANSWER](#))**

**NEW QUESTION: 192**

The () components of Huawei NETCOL5000-A in-line precision air conditioner are optional parts.

- A. Fan
- B. Evaporator
- C. Electric heating
- D. Compressor

**Answer: C ([LEAVE A REPLY](#))**

**NEW QUESTION: 193**

UPS2000-G (6-20KVA) battery discharge time is significantly lower than the standard time, what may be caused by? (Multiple choice)

- A. The battery is not fully charged
- B. No mains input
- C. Load increase
- D. Reduced battery capacity

**Answer: A,C,D ([LEAVE A REPLY](#))**

**NEW QUESTION: 194**

FusionModule solution can use ECC800 to achieve local monitoring, and use NetEco management system to achieve centralized monitoring of multiple micro-modules.

Then, in the project bidding quotation, which product is the configuration quotation of the ECC800 collector in?

- A. NetEco Management System
- B. UPS products
- C. FusionModule Solution
- D. None of the above is true

**Answer: ([SHOW ANSWER](#))**

**NEW QUESTION: 195**

UPS5000- has the function of adjustable number of battery cells, which can avoid the replacement of gangs caused by single battery failure, and solve the problem of difficult maintenance of traditional UPS batteries. How many adjustable batteries does UPS5000-E (50kVA module) support?

- A. 32-47
- B. 30-40
- C. 32-40
- D. 30-46

Answer: ([SHOW ANSWER](#))

**NEW QUESTION: 196**

During the installation of an air conditioner system, which of the following statements are correct about the draining impurities from the refrigerant pipe?

- A. Quickly remove the pipe plug, and avoid facing people to prevent injury.
- B. Fill the pipe with high-pressure nitrogen.
- C. To discharge nitrogen from the outdoor unit.
- D. Block one of the pipe ports.

Answer: B ([LEAVE A REPLY](#))

**Valid H12-425\_V2.0-ENU Dumps** shared by Actual4test.com for Helping Passing H12-425\_V2.0-ENU Exam! Actual4test.com now offer the **newest H12-425\_V2.0-ENU exam dumps**, the Actual4test.com H12-425\_V2.0-ENU exam **questions have been updated** and **answers have been corrected** get the **newest** Actual4test.com H12-425\_V2.0-ENU dumps with Test Engine here: [https://www.actual4test.com/H12-425\\_V2.0-ENU\\_examcollection.html](https://www.actual4test.com/H12-425_V2.0-ENU_examcollection.html) (468 Q&As Dumps, **30%OFF Special Discount: Freepdfdumps**)

**NEW QUESTION: 197**

Regarding the integrated UPS5000-E120K-HASBS statements, which of the following is incorrect?

- A. Support intelligent battery management, the number of battery cells can be adjusted
- B. Support incoming line
- C. ATS does not support manual switching
- D. The power statistics interface can display the power of each output branch

Answer: C ([LEAVE A REPLY](#))

**NEW QUESTION: 198**

When the outdoor unit of a Huawei air-cooled air conditioner is installed horizontally, what is the minimum distance between the outdoor unit and the wall or obstacle?

- A. 200 mm
- B. 600 mm
- C. 100 mm
- D. 300 mm

**Answer: D** ([LEAVE A REPLY](#))

**NEW QUESTION: 199**

UPS5000-E can maintain high efficiency in a wide load range and effectively reduce losses. Among them, the efficiency can reach 96% at 40% load, and the efficiency can reach 95% at 20% load. What is the efficiency in ECO mode?

- A. 99%
- B. 97%
- C. 96%
- D. 98%

**Answer: A** ([LEAVE A REPLY](#))

**NEW QUESTION: 200**

The AI/DI port on the access control actuator supports to connect the ().

- A. Electronic magnetic lock
- B. Fingerprint Reader
- C. Door open button
- D. IC card reader

**Answer: C** ([LEAVE A REPLY](#))

**NEW QUESTION: 201**

ECC800 does not support wireless communication.

- A. False
- B. True

**Answer: (**[SHOW ANSWER](#)**)**

**NEW QUESTION: 202**

Huawei air-cooled air conditioners (25kw and 42kw) one indoor unit corresponds to one outdoor unit.

- A. True
- B. False

**Answer: (**[SHOW ANSWER](#)**)**

**NEW QUESTION: 203**

UPS5000-S-400K adopts () KVA power module.

- A. 30
- B. 25
- C. 50
- D. 40

**Answer: C** ([LEAVE A REPLY](#))

**NEW QUESTION: 204**

The rated voltage of the cell (CELL) in the VRLA battery is ().

- A. 6V
- B. 12V
- C. 1V
- D. 2V

**Answer: D** ([LEAVE A REPLY](#))

**NEW QUESTION: 205**

Temperature cloud map intelligence displayed in NetEco.

- A. True
- B. False

**Answer: A** ([LEAVE A REPLY](#))

**NEW QUESTION: 206**

Which of the following components does not support wireless networking?

- A. Access actuator
- B. AC actuator
- C. Skylight actuator
- D. Aisle light

**Answer: C** ([LEAVE A REPLY](#))

**NEW QUESTION: 207**

What is the cabinet depth of Huawei Micro Module 2000? (Multiple Choice)

- A. 1000mm
- B. 1200mm
- C. 1500mm
- D. 1100mm

**Answer: B,D** ([LEAVE A REPLY](#))

**NEW QUESTION: 208**

FusionModule500&FusionModule800 remote WEB interface monitoring must be configured with unified network management software.

- A. False
- B. True

**Answer: B ([LEAVE A REPLY](#))**

**NEW QUESTION: 209**

When the indoor unit and outdoor unit of NETCOL5000-A are separated and have not been installed, the refrigerant pipeline is ().

- A. Refrigerant
- B. Nitrogen
- C. Air
- D. Oxygen

**Answer: B ([LEAVE A REPLY](#))**

**NEW QUESTION: 210**

When using ModBUS to remotely manage UPS500-E, which option should be selected?

- A. not required
- B. RS232 to USB interface
- C. ModBUS card

**Answer: A ([LEAVE A REPLY](#))**

**NEW QUESTION: 211**

Unpredictable business, difficult expansion and investment are one of the challenges faced by traditional data center business development.

- A. FALSE
- B. TRUE

**Answer: B ([LEAVE A REPLY](#))**

**Valid H12-425\_V2.0-ENU Dumps** shared by Actual4test.com for Helping Passing H12-425\_V2.0-ENU Exam! Actual4test.com now offer the **newest H12-425\_V2.0-ENU exam dumps**, the Actual4test.com H12-425\_V2.0-ENU exam **questions have been updated** and **answers have been corrected** get the **newest** Actual4test.com H12-425\_V2.0-ENU dumps with Test Engine here: [https://www.actual4test.com/H12-425\\_V2.0-ENU\\_examcollection.html](https://www.actual4test.com/H12-425_V2.0-ENU_examcollection.html) (468 Q&As Dumps, **30%OFF Special Discount: Freepdfdumps**)

**NEW QUESTION: 212**

Compared with NXR, which of the following indicators of UPS5000-A (30kVA ~ 120kVA) have advantages? (Multiple choice)

- A. Rack Tower Compatible
- B. Output Power Factor
- C. Input voltage range
- D. 40 degrees without derating

**Answer:** ([SHOW ANSWER](#))

**NEW QUESTION: 213**

The rated voltage of the cell (CELL) in the VRLA battery is ().

- A. 6V
- B. 1V
- C. 12V
- D. 2V

**Answer:** D ([LEAVE A REPLY](#))

**NEW QUESTION: 214**

A UPS system is configured with a single 50mm "2 (209A) cable, and the maximum current capacity allowed by the system is?

- A. 160A
- B. 209A
- C. 174A
- D. 104A

**Answer:** ([SHOW ANSWER](#))

**NEW QUESTION: 215**

Before the battery is installed, the open circuit voltage of a single battery is required: 12V battery  $\geq 12.60V$  or 2V TV  $\geq 2.10V$ , when it is found to be unqualified, the battery needs to be supplemented.

- A. False
- B. True

**Answer:** B ([LEAVE A REPLY](#))

**NEW QUESTION: 216**

How many KG is the static load of the FusionModule2000 cabinet?

- A. 1500
- B. 1800
- C. 2000
- D. 2400

**Answer:** B ([LEAVE A REPLY](#))

**NEW QUESTION: 217**

Considering that the UPS system is fully configured in the early stage of construction, but the actual system load rate is low, UPS5000-E is designed with an intelligent sleep function, which can increase the system load rate and keep the system running efficiently. When the UPS5000E sleeps intelligently, at least how many power modules are redundant?

- A. 0

B. 1

C. 2

Answer: A ([LEAVE A REPLY](#))

**NEW QUESTION: 218**

When the inspection, maintenance and repair of electrical installations are carried out in a non-stop work mode, warning signs or signs should be hung in the electrical installations and work area.

A. FALSE

B. TRUE

Answer: B ([LEAVE A REPLY](#))

**NEW QUESTION: 219**

Depth of discharge DOD, indicating the percentage of the battery's rice discharge to the battery's rated capacity.

A. False

B. True

Answer: ([SHOW ANSWER](#))

**NEW QUESTION: 220**

In the () setting interface, you can set the linkage rules of the multi-function sensor and the sunroof.

A. PLC

B. Version Information

C. Access control user management

D. WIFI management

Answer: A ([LEAVE A REPLY](#))

**NEW QUESTION: 221**

What is the range of the number of battery cabinets in the FusionModule800 module?

A. 0-2

B. 0-3

C. 0-1

D. 0-4

Answer: A ([LEAVE A REPLY](#))

**NEW QUESTION: 222**

The height of the ECC800 collector is () U.

A. 2

B. 4

C. 3

D. 1

Answer: D ([LEAVE A REPLY](#))

**NEW QUESTION: 223**

The static load of the FusionModule2000 cabinet can support 2400KG.

A. False

B. True

Answer: B ([LEAVE A REPLY](#))

**NEW QUESTION: 224**

The main reason for the thermal runaway of the battery and the increase of the internal pressure, which leads to the deformation and expansion of the appearance is ().

A. More electrolyte

B. Plate gasification

C. Gas leakage

D. Electrolyte leakage

Answer: C ([LEAVE A REPLY](#))

**NEW QUESTION: 225**

The bypass module of UPS5000-E-200K (50kVW power module) is the same as that of UPS5000-E-300K.

A. True

B. False

Answer: A ([LEAVE A REPLY](#))

**NEW QUESTION: 226**

Which type of compressor is used in new room-level air cooling?

A. AC inverter compressor

B. Fixed frequency compressor

C. DC inverter compressor

D. Digital scroll compressor

Answer: D ([LEAVE A REPLY](#))

**Valid H12-425\_V2.0-ENU Dumps** shared by Actual4test.com for Helping Passing H12-425\_V2.0-ENU Exam! Actual4test.com now offer the **newest H12-425\_V2.0-ENU exam dumps**, the Actual4test.com H12-425\_V2.0-ENU exam **questions have been updated** and **answers have been corrected** get the **newest** Actual4test.com H12-425\_V2.0-ENU dumps

with Test Engine here: [https://www.actual4test.com/H12-425\\_V2.0-ENU\\_examcollection.html](https://www.actual4test.com/H12-425_V2.0-ENU_examcollection.html)  
(468 Q&As Dumps, **30%OFF** Special Discount: **Freepdfdumps**)

**NEW QUESTION: 227**

If the NETCOL5000-A air-conditioning unit operates abnormally, you should check whether the compressor, fan, and pipe lights are fixed properly and whether there is any looseness.

- A. True
- B. False

**Answer: A** ([LEAVE A REPLY](#))

**NEW QUESTION: 228**

The DC cable voltage drop needs to be controlled within ( ).

- A. 0.05
- B. 0.01
- C. 0.03
- D. 0.02

**Answer: (**[SHOW ANSWER](#)**)**

**NEW QUESTION: 229**

Which of the following is not the reason why the water tray of NETCOL8000-A infrared humidifier is not filled with water?

- A. Infrared tube damage
- B. The valve of the water inlet pipe is not open
- C. The water injection pipe is blocked
- D. The water pressure is abnormal

**Answer: A** ([LEAVE A REPLY](#))

**NEW QUESTION: 230**

Three groups of 9AH battery packs are connected in parallel to UPS2000-G-6KVA, the battery capacity should be set to ( ).

- A. 18AH
- B. 27AH
- C. 32AH
- D. 9AH

**Answer: B** ([LEAVE A REPLY](#))

**NEW QUESTION: 231**

RH2288 server supports ( ) power input.

- A. 2
- B. 4
- C. 1

D. 3

Answer: A ([LEAVE A REPLY](#))

**NEW QUESTION: 232**

In the battery model 6-GFM-150, the 150 mark is the ( ) of the battery.

- A. actual capacity
- B. maximum capacity
- C. minimum capacity
- D. rated capacity

Answer: ([SHOW ANSWER](#))

**NEW QUESTION: 233**

The host should be set to ( ) when the UPS5000 series multi-rack network is paralleled.

- A. No setup required
- B. One-to-one
- C. One-to-many
- D. Many-to-One

Answer: C ([LEAVE A REPLY](#))

**NEW QUESTION: 234**

Which of the following devices can be powered by the PDU8000 integrated PDF in the FusionModule2000?

- A. Chiller
- B. indoor unit of an air-cooled precision air conditioner
- C. IT load
- D. indoor unit of a water-cooled precision air conditioner

Answer: C ([LEAVE A REPLY](#))

**NEW QUESTION: 235**

Which of the following descriptions of the iPower function of the intelligent micro-module of FusionModule2000 v3.0 are correct? (Multiple choice)

- A. Intelligent rPDU can monitor the power consumption information of each socket
- B. Can monitor battery information
- C. With alarm convergence function (mains power failure scenario, alarm information collection)
- D. Power Distribution Link Visualization

Answer: ([SHOW ANSWER](#))

**NEW QUESTION: 236**

Which of the typical configurations of FusionModule800 are standard?

- A. Smoke sensor, door sensor, pad, water immersion, simple wiring trough, video

B. Smoke sensor, temperature and humidity, pad, SMS alarm, mobile APP, automatic pop-up door

C. Temperature and humidity, door sensor, pad, water flood, video, mobile APP

**Answer:** ([SHOW ANSWER](#))

**NEW QUESTION: 237**

Which of the following modules are included in the UPS5000-E that can support hot swapping?  
(Multiple choice)

A. Control Module

B. Power Module

C. Bypass Module

**Answer:** A,B,C ([LEAVE A REPLY](#))

**NEW QUESTION: 238**

UPS5000-E only needs to select (\_\_\_\_\_) to easily realize the N+X power supply system.  
The operation is simple and convenient. (Fill in the blank)

**Answer:**

Parallel cable

**NEW QUESTION: 239**

Which of the following PH values meets the water quality requirements of NetCol8000-E220?

A. 3

B. 9

C. 7

D. 5

**Answer:** ([SHOW ANSWER](#))

**NEW QUESTION: 240**

The ECC800 does not support SMS notification of alarms and cannot realize remote maintenance.

A. True

B. False

**Answer:** ([SHOW ANSWER](#))

**NEW QUESTION: 241**

Regarding the circuit breaker statement, which of the following are correct? (Multiple choice)

A. The isolating switch and the circuit breaker play the same role in the system

B. The circuit breaker mainly plays the dual role of isolation and protection in the system

C. The leakage protection circuit breaker is not recommended to be used in the front end of the UPS system

D. When selecting circuit breakers, do not consider redundancy

Answer: ([SHOW ANSWER](#))

**Valid H12-425\_V2.0-ENU Dumps** shared by Actual4test.com for Helping Passing H12-425\_V2.0-ENU Exam! Actual4test.com now offer the **newest H12-425\_V2.0-ENU exam dumps**, the Actual4test.com H12-425\_V2.0-ENU exam **questions have been updated** and **answers have been corrected** get the **newest** Actual4test.com H12-425\_V2.0-ENU dumps with Test Engine here: [https://www.actual4test.com/H12-425\\_V2.0-ENU\\_examcollection.html](https://www.actual4test.com/H12-425_V2.0-ENU_examcollection.html) (**468 Q&As Dumps, 30%OFF Special Discount: Freepdfdumps**)

**NEW QUESTION: 242**

What are the steps to maintain the electrode humidifier when the NETCOL5000-A removes the air conditioner humidifier? (Multiple choice)

- A. Remove and clean the water supply valve
- B. Remove the drain and drain valve assembly
- C. Disconnect the water supply valve drain valve wiring
- D. Replace hard and brittle hoses and flush drains thoroughly

Answer: ([SHOW ANSWER](#))

**NEW QUESTION: 243**

NETECO cannot perform centralized and unified management of data center infrastructure in multiple regions.

- A. True
- B. False

Answer: B ([LEAVE A REPLY](#))

**NEW QUESTION: 244**

The 2.4G antenna on ECC800 should be installed in ().

- A. DO output dry contact
- B. 3G/4G antenna interface
- C. RS485 port
- D. RF\_ZA wiring port

Answer: ([SHOW ANSWER](#))

**NEW QUESTION: 245**

UPS5000-A can significantly reduce the harmonic pollution to the power grid. In the case of a linear full number, the input electrical and hydraulic distortion nmi is ()

- A. 0.03
- B. 0.01
- C. 0.02

D. 0.05

Answer: B ([LEAVE A REPLY](#))

**NEW QUESTION: 246**

FusionModule2000 IT cabinet seismic rating?

A. 8

B. 7

C. 9

Answer: ([SHOW ANSWER](#))

**NEW QUESTION: 247**

The () air supply method is suitable for data centers with high power density of a single cabinet.

A. Row level

B. Upper air duct

C. Upper air supply

D. Under the floor

Answer: A ([LEAVE A REPLY](#))

**NEW QUESTION: 248**

When the UPS5000-E is equipped with IP21 components, the top air components can also be installed at the same time.

A. False

B. True

Answer: ([SHOW ANSWER](#))

**NEW QUESTION: 249**

The power supply architecture supported by the new room and air-cooled series is?

A. Other

B. Dual power supply

C. Circuit Power

D. AB is right

Answer: ([SHOW ANSWER](#))

**NEW QUESTION: 250**

Which of the following air-conditioning systems need to be equipped with cooling towers and dry coolers?

A. DX air-cooled type

B. DX water-cooled type

C. Direct Ventilation Air Conditioning System

D. CW air-cooled type

Answer: ([SHOW ANSWER](#))

**NEW QUESTION: 251**

What methods are supported by the FusionModule800 UPS configuration?

- A. N/2N
- B. N/N+1/2N
- C. N/N+1

**Answer: B** ([LEAVE A REPLY](#))

**NEW QUESTION: 252**

The intelligent busway can replace the precision configuration cabinet and increase the number of cabinets in the IT cabinet.

- A. True
- B. False

**Answer: A** ([LEAVE A REPLY](#))

**NEW QUESTION: 253**

Compared with the upper air duct air supply, the upper air duct air supply has the advantages of long air supply distance and uniform air supply.

- A. FALSE
- B. TRUE

**Answer: B** ([LEAVE A REPLY](#))

**NEW QUESTION: 254**

Which of the following models has the widest input voltage range and is more suitable for harsh power grids?

- A. APC Galaxy7000
- B. Eaton 9395
- C. UPS5000-A
- D. Emerson NXF

**Answer:** ([SHOW ANSWER](#))

**NEW QUESTION: 255**

The signal processing of the UPS5000-E will centralize control:

- A. Bypass Module
- B. Energy Control Module ECM
- C. Maintenance Bypass Module
- D. Power Module

**Answer: B** ([LEAVE A REPLY](#))

**NEW QUESTION: 256**

When the NetCol5000-A compressor runs for a long time with low superheat or no superheat, it is prone to "liquid shock" and damage.

- A. True
- B. False

Answer: ([SHOW ANSWER](#))

**Valid H12-425\_V2.0-ENU Dumps** shared by Actual4test.com for Helping Passing H12-425\_V2.0-ENU Exam! Actual4test.com now offer the **newest H12-425\_V2.0-ENU exam dumps**, the Actual4test.com H12-425\_V2.0-ENU exam **questions have been updated and answers have been corrected** get the **newest** Actual4test.com H12-425\_V2.0-ENU dumps with Test Engine here: [https://www.actual4test.com/H12-425\\_V2.0-ENU\\_examcollection.html](https://www.actual4test.com/H12-425_V2.0-ENU_examcollection.html) (468 Q&As Dumps, **30%OFF Special Discount: Freepdfdumps**)

**NEW QUESTION: 257**

What is the cabinet depth of Huawei Micro Module 2000? (Multiple Choice)

- A. 1200mm
- B. 1500mm
- C. 1000mm
- D. 1100mm

Answer: A,D ([LEAVE A REPLY](#))

**NEW QUESTION: 258**

The FusionModule800 does not need to be charged with refrigerant on site within 30m of the connecting pipe.

- A. False
- B. True

Answer: B ([LEAVE A REPLY](#))

**NEW QUESTION: 259**

The () air supply method is suitable for data centers with high power density of a single cabinet.

- A. Under the floor
- B. Upper air duct
- C. Upper air supply
- D. Row level

Answer: ([SHOW ANSWER](#))

**NEW QUESTION: 260**

If a large amount of foam appears in the oil sight glass of the NETCOL9000-A compressor for a long time, it means that the degree of overheating is too high.

- A. TRUE
- B. FALSE

**Answer: B ([LEAVE A REPLY](#))**

**NEW QUESTION: 261**

What are the alarm management functions supported by the ECC800? (Multiple choice)

- A. View historical alarms
- B. Alarm parameter setting
- C. Alarm data export
- D. Filter alerts

**Answer: A,B,C,D ([LEAVE A REPLY](#))**

**NEW QUESTION: 262**

( ) marks the fully charged battery, and discharge it to the specified termination power according to certain discharge conditions.

- A. Rated capacity
- B. Maximum capacity
- C. Actual capacity
- D. Minimum Capacity

**Answer: C ([LEAVE A REPLY](#))**

**NEW QUESTION: 263**

When installing the UPS500-E, a certain distance should be left behind and above to ensure ventilation and heat dissipation.

- A. True
- B. False

**Answer: A ([LEAVE A REPLY](#))**

**NEW QUESTION: 264**

In the UPS5000 configuration, different battery schemes can be obtained by adjusting the number of battery strings and the number of battery cells in a single group.

- A. False
- B. True

**Answer: B ([LEAVE A REPLY](#))**

**NEW QUESTION: 265**

In the water-testing natural cooling scheme, the cooling tower can directly provide cooling water to the air conditioner to complete the cooling.

- A. TRUE
- B. FALSE

**Answer: A ([LEAVE A REPLY](#))**

**NEW QUESTION: 266**

The temperature control laboratory has passed the GMPI certification.

- A. True
- B. False

**Answer: A** ([LEAVE A REPLY](#))

**NEW QUESTION: 267**

In the UPS5000 configurator, what are the optional module types? (Multiple choice)

- A. 25k
- B. 50k standard effect
- C. 60k
- D. 50k high efficiency

**Answer:** ([SHOW ANSWER](#))

**NEW QUESTION: 268**

Compared with high-frequency machines, industrial frequency machines may bring more additional investment, which of the following are included? (Multiple choice)

- A. Room area
- B. Mouth load-bearing (installation and construction)
- C. Running electricity bill
- D. Refrigeration electricity bill
- E. Oil engine

**Answer:** ([SHOW ANSWER](#))

**NEW QUESTION: 269**

Two UPS5000-E (50kVA power modules) 150kVA, rack 1+1 redundancy, in the total input power cabinet, the required total input switch is ()

- A. 320A
- B. 500A
- C. 630A
- D. 250A

**Answer: A** ([LEAVE A REPLY](#))

**NEW QUESTION: 270**

When UPS5000-E shares a battery pack, the battery capacity parameter of each UPS is set to the total capacity of the entire battery pack.

- A. FALSE
- B. TRUE

**Answer: B** ([LEAVE A REPLY](#))

**NEW QUESTION: 271**

The UPS5000-E battery adopts the design of no center line, which is convenient to replace the old battery when the tower machine is replaced.

- A. True
- B. False

**Answer: B** ([LEAVE A REPLY](#))

**Valid H12-425\_V2.0-ENU Dumps** shared by Actual4test.com for Helping Passing H12-425\_V2.0-ENU Exam! Actual4test.com now offer the **newest H12-425\_V2.0-ENU exam dumps**, the Actual4test.com H12-425\_V2.0-ENU exam **questions have been updated** and **answers have been corrected** get the **newest** Actual4test.com H12-425\_V2.0-ENU dumps with Test Engine here: [https://www.actual4test.com/H12-425\\_V2.0-ENU\\_examcollection.html](https://www.actual4test.com/H12-425_V2.0-ENU_examcollection.html) (468 Q&As Dumps, **30%OFF Special Discount: Freepdfdumps**)

**NEW QUESTION: 272**

Regarding the adjustable battery of UPS5000-E, when one battery is broken, at least ( ) battery needs to be removed? Then set the corresponding number of battery cells on the monitoring panel.

- A. 1
- B. 3
- C. 2
- D. 4

**Answer: C** ([LEAVE A REPLY](#))

**NEW QUESTION: 273**

Regarding intelligent battery management in UPS5000-A, which of the following statements is correct? (Multiple choice)

- A. Intelligent Floating Charge Conversion
- B. The number of battery cells is adjustable
- C. Support battery temperature compensation
- D. Support battery sleep

**Answer: (SHOW ANSWER)**

**NEW QUESTION: 274**

Which of the following components does not support wireless networking?

- A. ETH Converter
- B. Sunroof Actuator
- C. AC Actuator
- D. Access Control Actuator

**Answer:** ([SHOW ANSWER](#))

**NEW QUESTION: 275**

The maximum charging capacity of UPS5000-E is ()

- A. 30%
- B. 40%
- C. 20%
- D. 10%

**Answer:** B ([LEAVE A REPLY](#))

**NEW QUESTION: 276**

Which of the following are the difference between traditional power frequency machine and high frequency machine? (Multiple choice)

- A. Different rectification methods
- B. The output must have a built-in step-up transformer
- C. All of the above are true
- D. Different types of bypass devices

**Answer:** ([SHOW ANSWER](#))

**NEW QUESTION: 277**

The device is connected to the ECC800 monitoring system through the smart ETH socket, using the () interface of the smart FTH socket.

- A. FE
- B. AI/DI
- C. RS485
- D. POE

**Answer:** D ([LEAVE A REPLY](#))

**NEW QUESTION: 278**

Which of the following are the working modes of the runner natural cooling scheme? (Multiple choice)

- A. Full compressor cooling mode
- B. Complete Free Cooling Mode
- C. Direct ventilation mode
- D. Hybrid Mode

**Answer:** ([SHOW ANSWER](#))

**NEW QUESTION: 279**

If the customer has high requirements on the availability of the management system and requires that the normal use of the system is not affected by a single point of failure of the hardware, the

NetEco management system can provide a high-availability solution of dual-system backup. In the dual-computer solution, what hardware resources are required by NetEco?

- A. None of the above is true
- B. 2 servers + 2 disk arrays + 3 switches
- C. 2 servers + 1 disk array + 1 switch
- D. 1 server + 1 t-disk array + 2 switches

Answer: B ([LEAVE A REPLY](#))

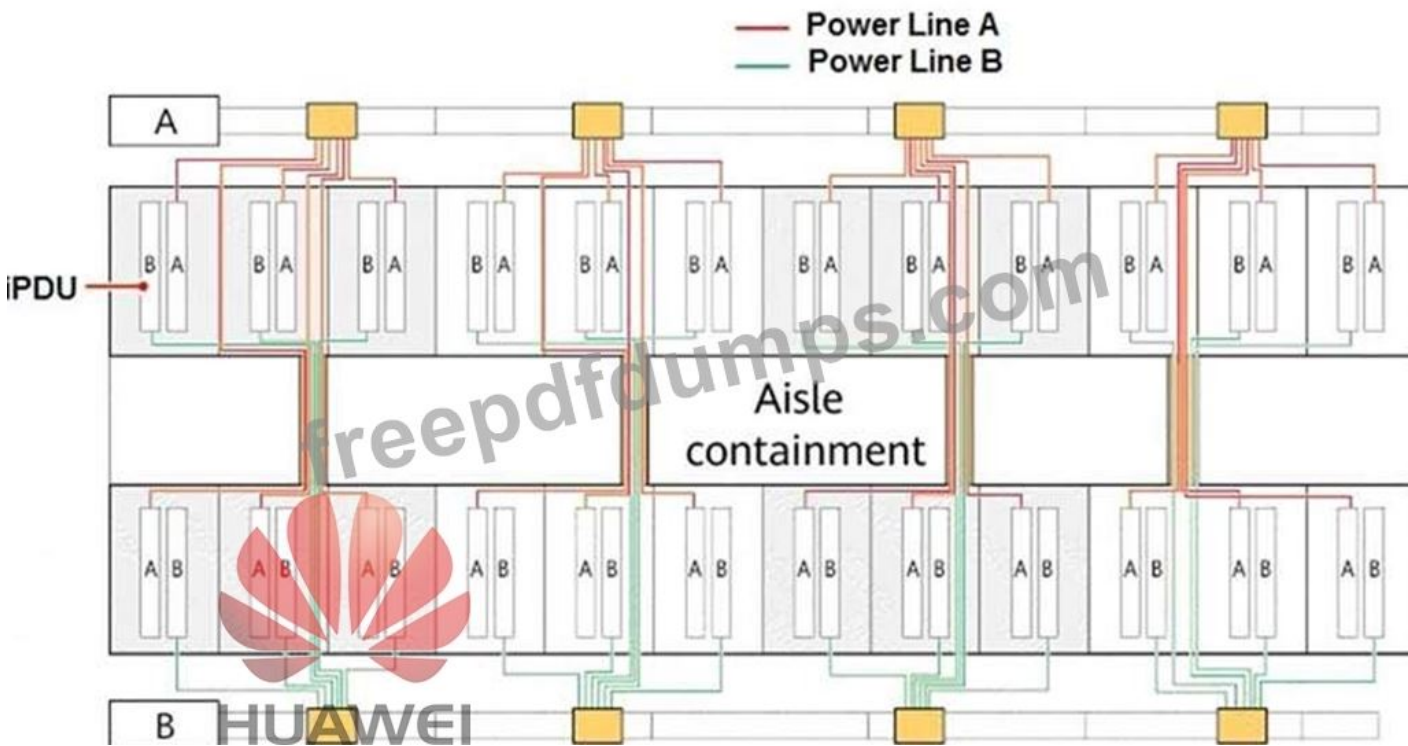
**NEW QUESTION: 280**

The NetEco6000 management system can provide monitoring of the cooling power system, which of the following functions can it provide? (Multiple choice)

- A. The power distribution system topology diagram can be provided, and the power distribution system diagram of the entire computer room can be displayed
- B. Support the display of key equipment indicators on the power distribution topology diagram, so that users can understand the operating status of the system and important nodes
- C. None of the above is supported
- D. It can provide the topological diagram of the chilled water system, showing the operation status of the whole system

Answer: ([SHOW ANSWER](#))

**NEW QUESTION: 281**



- A. N+1 deployment without crossing rows
- B. N+1 deployment crossing rows
- C. 2N deployment crossing rows
- D. 2N deployment without crossing rows

**Answer: C ([LEAVE A REPLY](#))**

**NEW QUESTION: 282**

What methods does the FusionModule800 power input support?

- A. One-way
- B. Single or Dual
- C. Two-way

**Answer: ([SHOW ANSWER](#))**

**NEW QUESTION: 283**

The component that can realize RS486/CAN to FE interface conversion is ().

- A. Only ETH socket
- B. WIFI converter
- C. ETH Converter
- D. Sunroof Actuator

**Answer: C ([LEAVE A REPLY](#))**

**NEW QUESTION: 284**

NETCOL5000-C needs to manually adjust the water valve to the minimum when filling and exhausting water.

- A. FALSE
- B. TRUE

**Answer: ([SHOW ANSWER](#))**

**NEW QUESTION: 285**

Which of the following description of UPS5000-A is correct? (Multiple choice)

- A. High frequency
- B. Tower
- C. Double Transform Online
- D. Power frequency
- E. Backup UPS
- F. Modular

**Answer: ([SHOW ANSWER](#))**

**Valid H12-425\_V2.0-ENU Dumps** shared by Actual4test.com for Helping Passing H12-425\_V2.0-ENU Exam! Actual4test.com now offer the **newest H12-425\_V2.0-ENU exam dumps**, the Actual4test.com H12-425\_V2.0-ENU exam **questions have been updated** and **answers have been corrected** get the **newest** Actual4test.com H12-425\_V2.0-ENU dumps

with Test Engine here: [https://www.actual4test.com/H12-425\\_V2.0-ENU\\_examcollection.html](https://www.actual4test.com/H12-425_V2.0-ENU_examcollection.html)  
(468 Q&As Dumps, **30%OFF** Special Discount: **Freepdfdumps**)